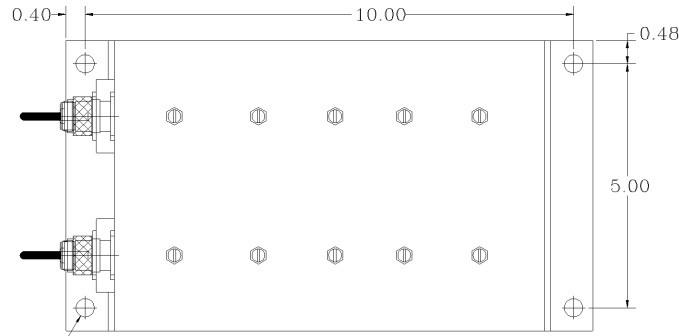
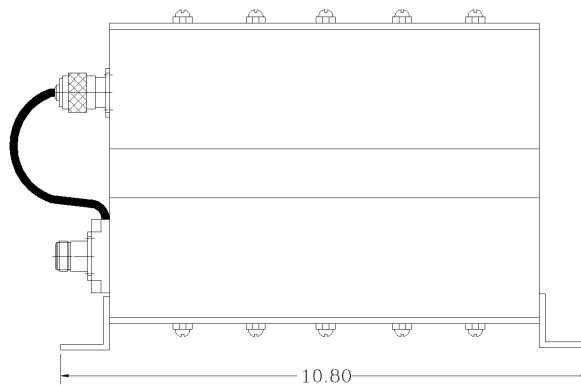
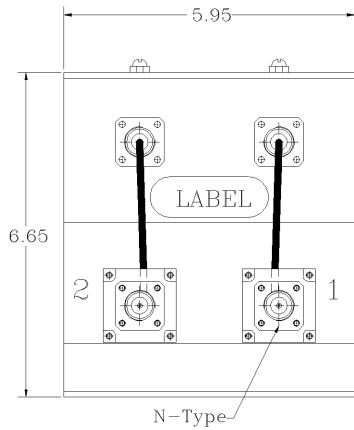
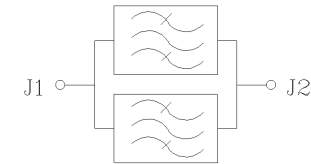


REVISIONS			
REV		DATE	APPROVED



∠0.38 Thru
4 PL



Electrical Specifications

- *1dB Low Passband Frequency Range [MHz] : 769-775
- *Insertion Loss @ CF [dB] : <1.0, 0.9 (Typ.)
- *Selectivity @ Passband ±2 MHz [dB] : 40 (Typ.)
- *1dB High Passband Frequency Range [MHz] : 799-805
- *Insertion Loss @ CF [dB] : <1.1, 1.0 (Typ.)
- *Selectivity @ Passband ±2 MHz [dB] : 40 (Min.), 45 (Typ.)
- *Input/Output Impedance : 50 ohm
- *VSWR IN/OUT : <1.28:1
- *RF Power Capability CW : 60 Watt
- *IM Products, IM3 @ 2 x +33 dBm [dBc] : -143 (Min.)
- *IM Products, IM3 @ 2 x +43 dBm [dBc] : -133 (Typ.)
- *Input/Output @ DC Ground Potential
- *Finish: Epoxy Gray - Optional

OPERATING TEMPERATURE RANGE: -20°C TO +55°C

SKU # 91021256

PROPRIETARY DOCUMENT:
THE CONTENTS OF THIS DOCUMENT WITH ALL INFORMATION AND PROCESSES ARE THE SOLE PROPERTY OF G-Way Microwave. THIS DOCUMENT MAY NOT BE DUPLICATED OR DISCLOSED TO ANY PARTY EXCEPT BY EXPRESSLY WRITTEN PERMISSION. THE ONLY AUTHORIZED USE OF THIS DOCUMENT BY A VENDOR IS FOR QUOTE PURPOSES AND SAID VENDOR AGREES NOT TO DISCLOSE ITS CONTENTS TO ANY THIRD PARTY. THIS DOCUMENT IS COPYRIGHTED 1998.

NOTES:

1. BREAK ALL CORNERS & EDGES .005/ .010.
2. FINAL FINISH:
TEXTURED EPOXY BLACK - OPTIONAL.

DIMENSIONS ARE IN INCHES TOLERANCES ARE ANGLES DECIMALS ± 1" .X ± .05 .XX ± .01 .XXX ± .003		CONTRACT NO:		G-Way Microwave	
TREATMENT		APPROVALS	DATE		
FINISH 63/	ENG.	DRAWN Segal	08/13	SIZE A	CAGE CODE 3K1H4
MATERIAL AL6061-T6	DESIGN ACTIVITY	CHECKED		DWG NO: CBB772/802MK-S1-1	REV. 0
				SCALE None	SHEET 1 OF 1