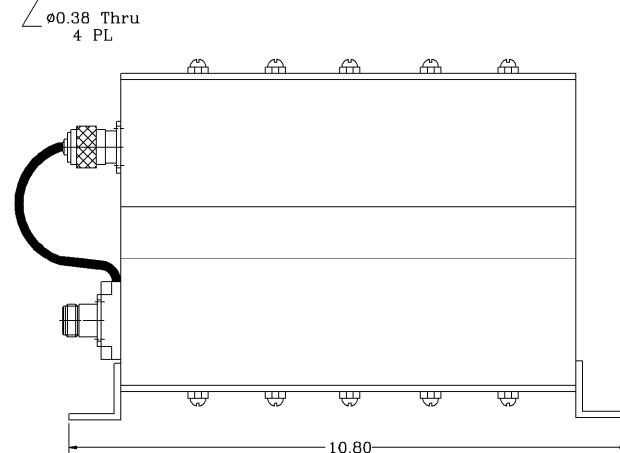
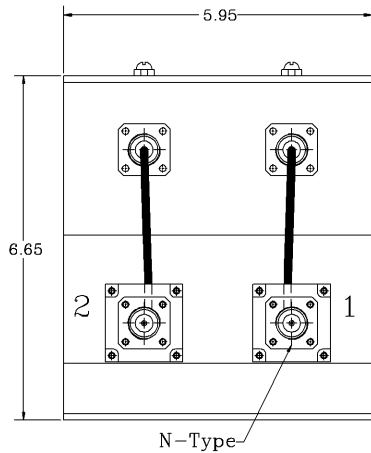
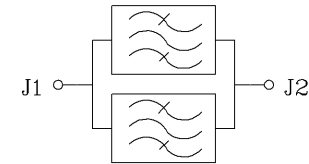
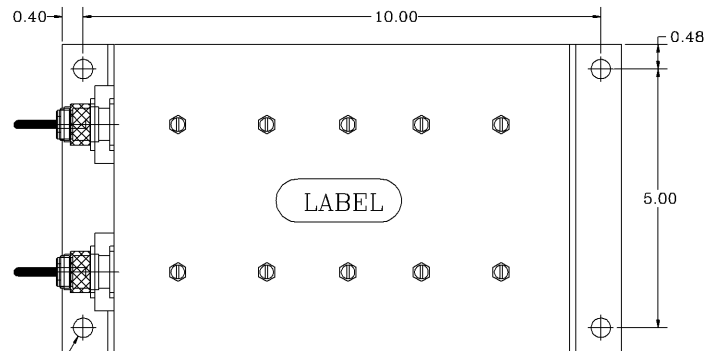


REVISIONS			
REV		DATE	APPROVED



Electrical Specifications

- *3dB Passband Frequency Range [MHz] : 806-809
- *Insertion Loss @ Center Frequency [dB] : <1.8
- *Rejection DC to 796 MHz [dB] : 60 (Min.), 70 (Typ.)
- @ 810 MHz [dBc] : 30 (Min.), 32 (Typ.)
- *3dB Passband Frequency Range [MHz] : 851-854
- *Insertion Loss @ Center Frequency [dB] : <1.8
- *Rejection DC to 840 MHz [dB] : 60 (Min.), 80 (Typ.)
- @ 855 MHz [dBc] : 30 (Min.)
- *Input/Output Impedance : 50 ohm
- *VSWR IN/OUT : < 1.28:1
- *RF Power Capability CW : 60 Watt
- *Input/Output @ DC Ground Potential

OPERATING TEMPERATURE RANGE: -20°C TO +55°C

NOTES:

1. BREAK ALL CORNERS & EDGES.005/.010.
2. FINAL FINISH:
EPOXY GRAY - OPTIONAL

SKU # 98021023

PROPRIETARY DOCUMENT:
THE CONTENTS OF THIS DOCUMENT WITH ALL INFORMATION AND PROCESSES ARE THE SOLE PROPERTY OF G-Way Microwave. THIS DOCUMENT MAY NOT BE DUPLICATED OR DISCLOSED TO ANY PARTY EXCEPT BY EXPRESSLY WRITTEN PERMISSION. THE ONLY AUTHORIZED USE OF THIS DOCUMENT BY A VENDOR IS FOR QUOTE PURPOSES AND SAID VENDOR AGREES NOT TO DISCLOSE ITS CONTENTS TO ANY THIRD PARTY. THIS DOCUMENT IS COPYRIGHTED 1996.

DIMENSIONS ARE IN INCHES TOLERANCES ARE ANGLES DECIMALS ± 1° X ± .05 XX ± .01 XXX ± .003		CONTRACT NO:		G-Way Microwave	
TREATMENT		APPROVALS	DATE		
FINISH 63/	ENG. DESIGN ACTIVITY	DRAWN Sivak	04/07	SIZE A	CAGE CODE 3KI4
MATERIAL AL6061-T6	CHECKED	DWG NO: CBB830/3SK-S1-1		REV. A	SHEET 1 OF 1
				SCALE None	