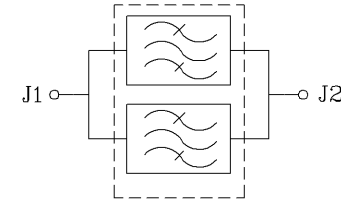
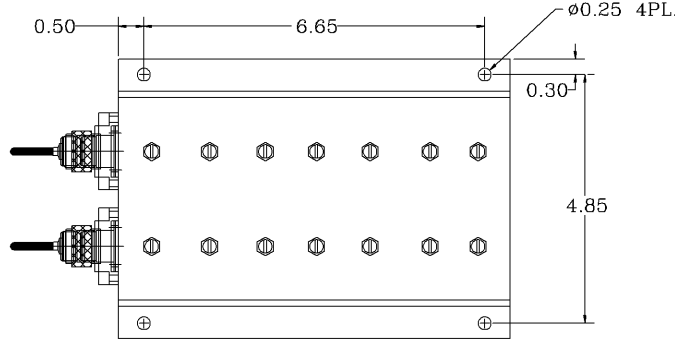
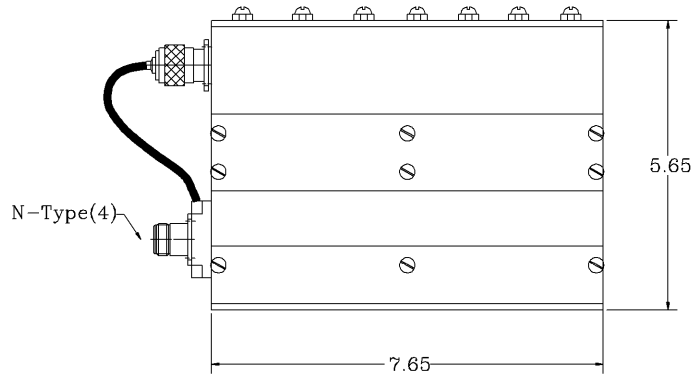
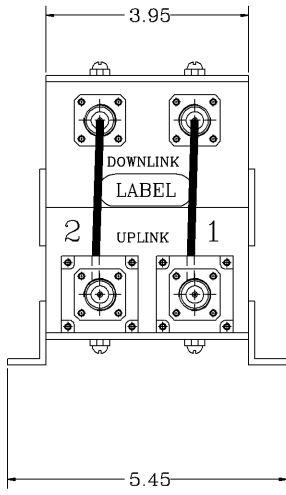


REVISIONS			
REV		DATE	APPROVED
B	Power and PIM performance updated	10/10	G. David



Electrical Specifications

- *Up-Link 1dB Frequency Range [MHz] : 806-821
- *Insertion Loss @ Center Frequency [dB] : <1.0
- *Rejection DC to 720 MHz [dB] : 80 (Min.)
 - @ 804 MHz [dB] : 25 (Min.), 30 (Typ.)
 - @ 824 to 849 MHz [dB] : 30 (Min.), 35 (Typ.)
- *Down-Link 1dB Frequency Range [MHz] : 851-866
- *Insertion Loss @ Center Frequency [dB] : <1.0
- *Rejection DC to 821 MHz [dB] : 80 (Min.)
 - @ 824 to 849 MHz [dB] : 25 (Min.), 30 (Typ.)
 - @ 868 MHz [dB] : 30 (Min.), 35 (Typ.)
 - @ 915 to 2500 MHz [dB] : 80 (Min.), 90 (Typ.)
- *RF Power Capability CW : 60 Watt
- PEAK : 500 Watt
- *IM Products, IM3 @ 2 x +33 dBm [dBc] : -143 (Min.)
- *Input/Output Impedance : 50 ohm
- *VSWR IN/OUT : < 1.34:1

NOTES:

1. BREAK ALL CORNERS & EDGES.005/.010.
2. FINAL FINISH:
EPOXY GRAY - OPTIONAL

OPERATING TEMPERATURE RANGE: -10°C TO +65°C

PROPRIETARY DOCUMENT:
THE CONTENTS OF THIS DOCUMENT WITH ALL INFORMATION AND PROCESSES ARE THE SOLE PROPERTY OF G-Way Microwave. THIS DOCUMENT MAY NOT BE DUPLICATED OR DISCLOSED TO ANY PARTY EXCEPT BY EXPRESSLY WRITTEN PERMISSION. THE ONLY AUTHORIZED USE OF THIS DOCUMENT BY A VENDOR IS FOR QUOTE PURPOSES AND SAID VENDOR AGREES NOT TO DISCLOSE ITS CONTENTS TO ANY THIRD PARTY. THIS DOCUMENT IS COPYRIGHTED 1998.

SKU # 98021022

DIMENSIONS ARE IN INCHES TOLERANCES ARE ANGLES DECIMALS ± 1° X ± .05 XX ± .01 XXX ± .003		CONTRACT NO:		G-Way Microwave	
TREATMENT		APPROVALS DATE			
FINISH 63/		DRAWN Sivak 03/05		TITLE High "Q" Dual Filter Assembly SMR CBB836/15SK-S1	
MATERIAL AL6061-T6		ENG. DESIGN ACTIVITY		SIZE A	CAGE CODE 3KI4
				DWG NO: CBB836/15SK-S1-1	REV. B
				SCALE None	SHEET 1 OF 1