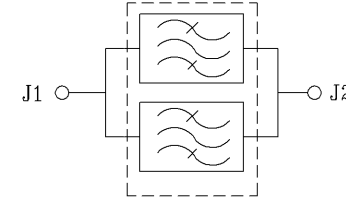
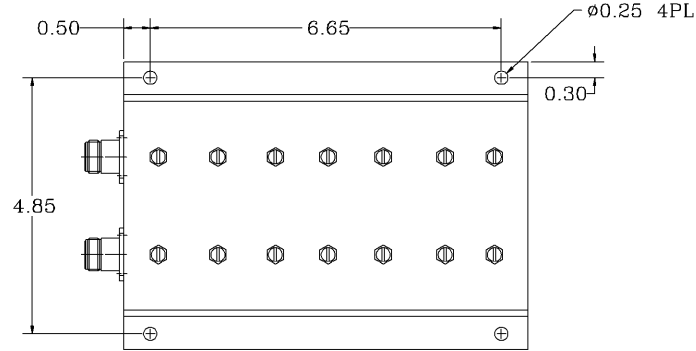
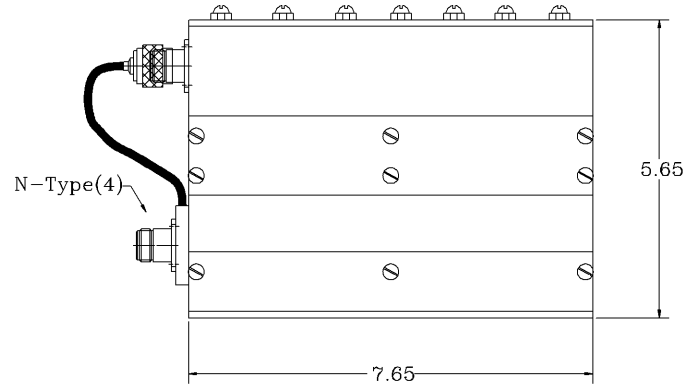
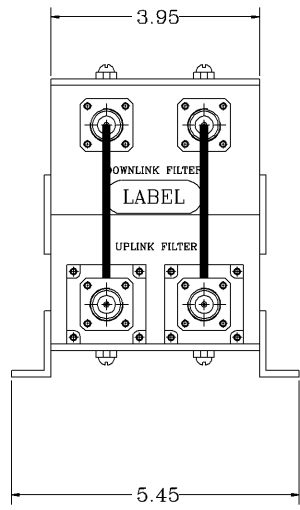


REVISIONS			
REV		DATE	APPROVED
B	Power and PIM performance updated	10/10	G. David



Electrical Specifications

*Up-Link 1dB Frequency Range [MHz]	: 806-824
*Insertion Loss @ Center Frequency [dB]	: <1.0
*Rejection DC to 720 MHz [dB]	: 80 (Min.)
@ 804 MHz [dB]	: 25 (Min.), 30 (Typ.)
@ 826 to 849 MHz [dB]	: 30 (Min.), 35 (Typ.)
*Down-Link 1dB Frequency Range [MHz]	: 851-869
*Insertion Loss @ Center Frequency [dB]	: <1.0
*Rejection DC to 760 MHz [dB]	: 80 (Min.)
@ 849 MHz [dB]	: 30 (Min.)
@ 871 to 880 MHz [dB]	: 30 (Min.), 35 (Typ.)
@ 880 to 2500 MHz [dB]	: 50 (Min.), 55 (Typ.)
*Passband Ripple [dB]	: 0.4 P-T-P
*RF Power Capability CW	: 60 Watt
PEAK	: 750 Watt
*IM Products, IM3 @ 2 x +33 dBm [dBc]	: -143 (Min.)
*IM Products, IM3 @ 2 x +43 dBm [dBc]	: -133 (Typ.)
*Input/Output Impedance	: 50 ohm
*VSWR IN/OUT	: < 1.28:1
*Input/Output @ DC Ground Potential	

NOTES:

- BREAK ALL CORNERS & EDGES.005/.010.
- FINAL FINISH:
EPOXY GRAY - OPTIONAL

OPERATING TEMPERATURE RANGE: -10°C TO +65°C

PROPRIETARY DOCUMENT:
THE CONTENTS OF THIS DOCUMENT WITH ALL INFORMATION AND PROCESSES ARE THE SOLE PROPERTY OF G-Way Microwave. THIS DOCUMENT MAY NOT BE DUPLICATED OR DISCLOSED TO ANY PARTY EXCEPT BY EXPRESSLY WRITTEN PERMISSION. THE ONLY AUTHORIZED USE OF THIS DOCUMENT BY A VENDOR IS FOR QUOTE PURPOSES AND SAID VENDOR AGREES NOT TO DISCLOSE ITS CONTENTS TO ANY THIRD PARTY. THIS DOCUMENT IS COPYRIGHTED 1998.

SKU # 98021021

DIMENSIONS ARE IN INCHES		CONTRACT NO:		G-Way Microwave	
TOLEANCES ARE	DECIMALS	APPROVALS	DATE		
± 1"	X ± .05 XX ± .01 XXX ± .003	DRAWN Sivak	03/05	TITLE High "Q" Duplexer ESMR CBB838/18SK-S1	
TREATMENT	CHECKED	SIZE	CAGE CODE	DWG NO:	REV.
FINISH 63/	ENG.	A	3K1H4	CBB838/18SK-S1-1	B
MATERIAL AL6061-T6	DESIGN ACTIVITY	SCALE	None	SHEET	1 OF 1