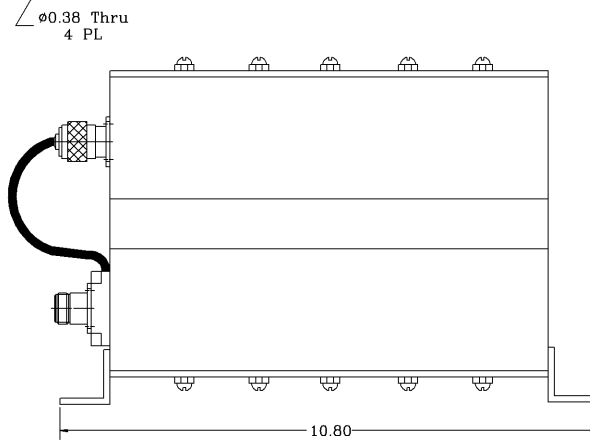
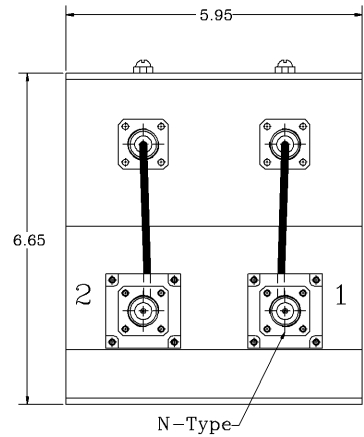
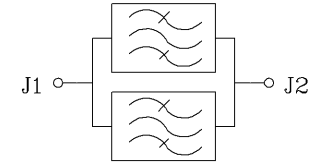
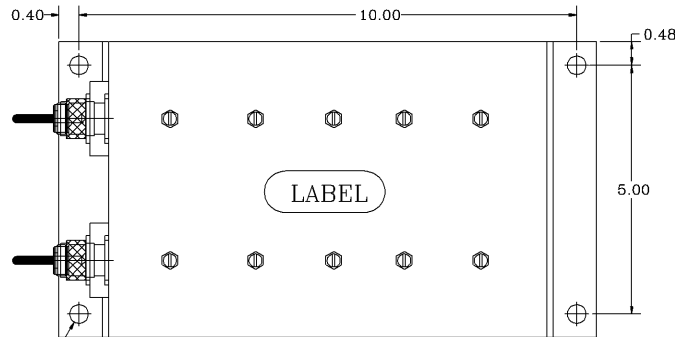


REVISIONS

REV	DATE	APPROVED



∅0.38 Thru
4 PL

Electrical Specifications

- *1dB Low Pass Band Frequency Range [MHz] : 835-845
- *Insertion Loss @ Fo [dB] : <0.7
- *Rejection @ 833 & 847 MHz (dB) : 30 (Min.), 32 (Typ.)
- *1dB High Pass Band Frequency Range [MHz] : 880-890
- *Insertion Loss @ Fo [dB] : <0.7
- *Rejection @ 878 & 892 MHz (dB) : 30 (Min.), 32 (Typ.)
- *Input/Output Impedance : 50 ohm
- *Input VSWR : < 1.32:1
- *RF Power Capability CW : 80 Watt
- *IM Products, IM3 @ 2 x +33 dBm [dBc] : -143 (Min.)
- *IM Products, IM3 @ 2 x +43 dBm [dBc] : -133 (Typ.)
- *Input/Output @ DC Ground Potential

NOTES:

- 1.BREAK ALL CORNERS & EDGES.005/.010.
- 2.FINAL FINISH:
TEXTURED EPOXY BLACK - OPTIONAL.

OPERATING TEMPERATURE RANGE: -20°C TO +75°C

PROPRIETARY DOCUMENT:
THE CONTENTS OF THIS DOCUMENT WITH ALL INFORMATION AND PROCESSES ARE THE SOLE PROPERTY OF G-Way Microwave. THIS DOCUMENT MAY NOT BE DUPLICATED OR DISCLOSED TO ANY PARTY EXCEPT BY EXPRESSLY WRITTEN PERMISSION. THE ONLY AUTHORIZED USE OF THIS DOCUMENT BY A VENDOR IS FOR QUOTE PURPOSES AND SAID VENDOR AGREES NOT TO DISCLOSE ITS CONTENTS TO ANY THIRD PARTY. THIS DOCUMENT IS COPYRIGHTED 1998.

SKU # 88021115

DIMENSIONS ARE IN INCHES		CONTRACT NO:		G-Way Microwave			
TOLEANCES ARE	DECIMALS	APPROVALS	DATE			TITLE	
ANGLES				CELL B Duplexer			
± 1°	X ± .05 XX ± .01 XXX ± .003	DRAWN Sivak	01/10	CBB862.5/10MK-S1			
TREATMENT		CHECKED					
FINISH	63/	ENG.		SIZE	CAGE CODE	DWG NO:	REV.
DESIGN ACTIVITY				A	3KI4	CBB862.5/10MK-S1-1	0
MATERIAL	AL6061-T6			SCALE	None		SHEET 1 OF 1