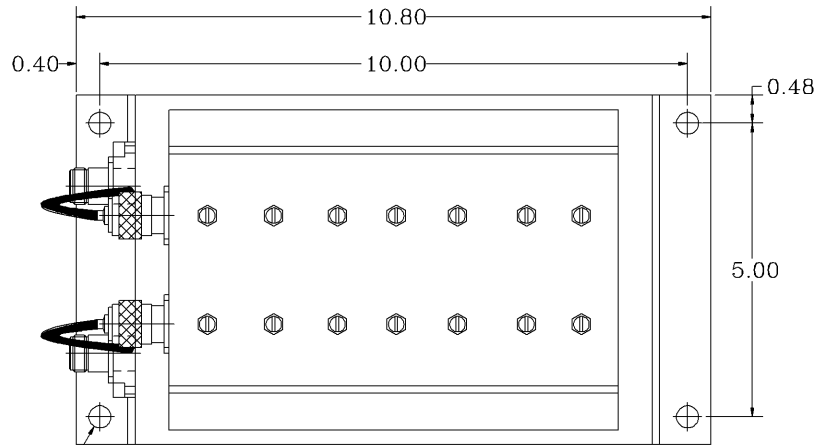
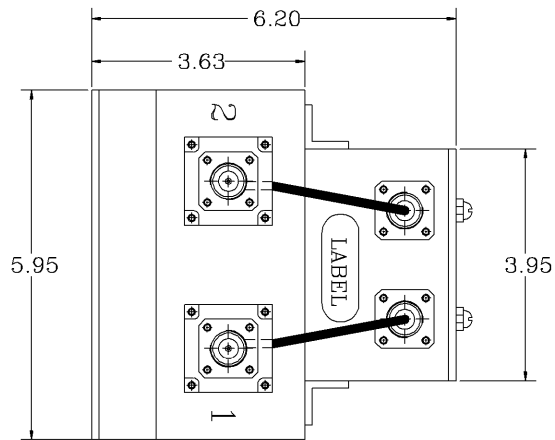
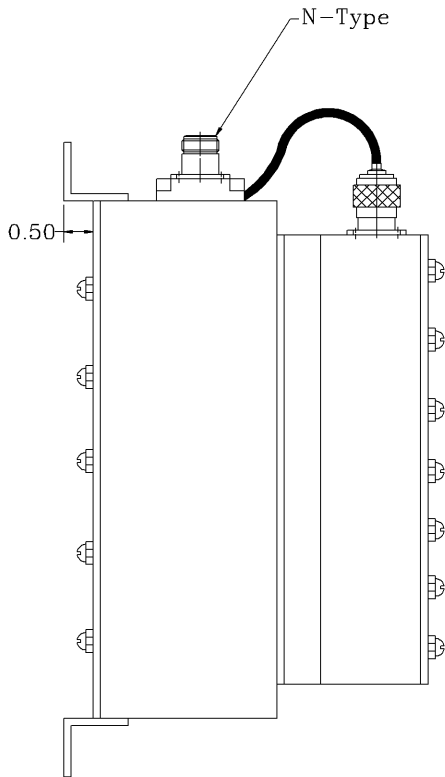
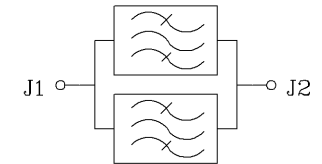


REVISIONS			
REV		DATE	APPROVED



Ø0.38 Thru
4 PL



Electrical Specifications

- *Downlink A Frequency Range [MHz] : 869-880
- *Insertion Loss [dB] : <2.6
- *Rejection @ DC to 867 MHz [dB] : 30 (Min.)
- @ 882 to 889 MHz [dB] : 30 (Min.)
- *Downlink A' Frequency Range [MHz] : 890-891.5
- *Insertion Loss [dB] : <2.9
- *Rejection @ 882 to 889 MHz [dB] : 30 (Min.)
- @ 892.5 to 896 MHz [dB] : 30 (Min.)
- *RF Power Capability CW : 100 Watt
- *IM Products, IM3 @ 2 x +33 dBm [dBc] : -143 (Min.)
- *IM Products, IM3 @ 2 x +43 dBm [dBc] : -133 (Typ.)
- *Input/Output Impedance : 50 ohm
- *VSWR IN/OUT : < 1.34:1

NOTES:

- 1.BREAK ALL CORNERS & EDGES.005/.010.
- 2.FINAL FINISH:
TEXTURED EPOXY BLACK - OPTIONAL.

SKU # 88021113

PROPRIETARY DOCUMENT:
THE CONTENTS OF THIS DOCUMENT WITH ALL INFORMATION AND PROCESSES ARE THE SOLE PROPERTY OF G-Way Microwave. THIS DOCUMENT MAY NOT BE DUPLICATED OR DISCLOSED TO ANY PARTY EXCEPT BY EXPRESSLY WRITTEN PERMISSION. THE ONLY AUTHORIZED USE OF THIS DOCUMENT BY A VENDOR IS FOR QUOTE PURPOSES AND SAID VENDOR AGREES NOT TO DISCLOSE ITS CONTENTS TO ANY THIRD PARTY. THIS DOCUMENT IS COPYRIGHTED 1998.

DIMENSIONS ARE IN INCHES: TOLERANCES ARE: ANGLES DECIMALS ± 1" X ± .05 XX ± .01 XXX ± .003		CONTRACT NO:	G-Way Microwave	
TREATMENT	CHECKED	APPROVALS		
FINISH 63/	ENG. DESIGN ACTIVITY	DRAWN Segal	05/02	TITLE Duplexer CELL A+A' Downlink CBB880/10MK-S1
MATERIAL AL6061-T6		SIZE A	CAGE CODE 3KI4	DWG NO: CBB880/10MK-S1-1
		SCALE None		REV. 0 SHEET 1 OF 1