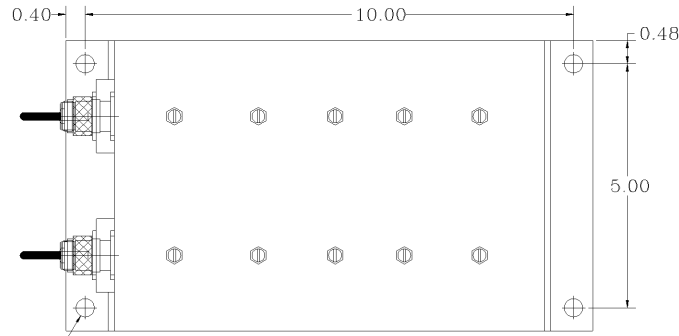
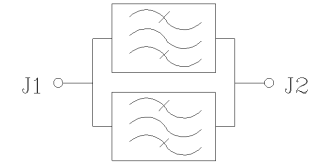
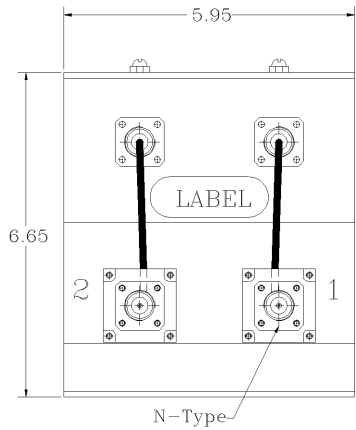
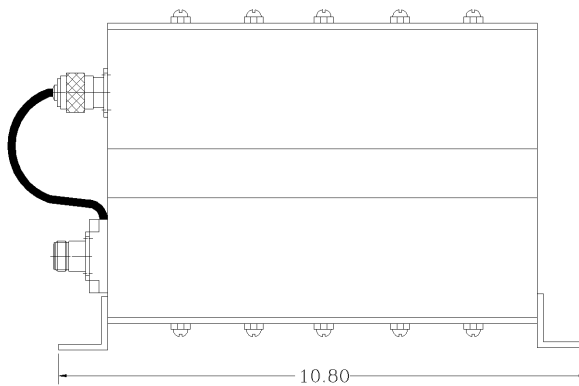


REVISIONS

REV		DATE	APPROVED
A	Standard PIM performance added.	08/10	G. David



∅0.38 Thru
4 PL



Electrical Specifications

- *1dB Frequency Range Downlink [MHz] : 935-941
- *Insertion Loss @ CF [dB] : <1.0
- *Rejection DC to 920 MHz [dB] : 60 (Min.)
- @ 960 to 2500 MHz [dB] : 60 (Min.)
- *1dB Passband Frequency Range Uplink [MHz] : 896-902
- *Insertion Loss @ CF [dB] : <1.5
- *Rejection DC to 880 MHz [dB] : 55 (Min.)
- @ 880 to 894 MHz [dB] : 30 (Min.), 35 (Typ.)
- *RF Power Capability CW : 100 Watt
- *IM Products, IM3 @ 2 x +33 dBm [dBc] : -143 (Min.)
- *IM Products, IM3 @ 2 x +43 dBm [dBc] : -133 (Typ.)
- *Input/Output Impedance : 50 ohm
- *VSWR IN/OUT : <1.28:1
- *Input/Output @ DC Ground Potential
- *Finish: Epoxy Gray - Optional

OPERATING TEMPERATURE RANGE: -10°C TO +65°C

NOTES:

1. BREAK ALL CORNERS & EDGES.005/.010.
2. FINAL FINISH:
EPOXY GRAY - OPTIONAL

SKU #98021064

PROPRIETARY DOCUMENT:
THE CONTENTS OF THIS DOCUMENT WITH ALL INFORMATION AND PROCESSES ARE THE SOLE PROPERTY OF G-Way Microwave. THIS DOCUMENT MAY NOT BE DUPLICATED OR DISCLOSED TO ANY PARTY EXCEPT BY EXPRESSLY WRITTEN PERMISSION. THE ONLY AUTHORIZED USE OF THIS DOCUMENT BY A VENDOR IS FOR QUOTE PURPOSES AND SAID VENDOR AGREES NOT TO DISCLOSE ITS CONTENTS TO ANY THIRD PARTY. THIS DOCUMENT IS COPYRIGHTED 1998.

DIMENSIONS ARE IN INCHES: TOLERANCES ARE ANGLES DECIMALS ± 1" X ± .05 XX ± .01 XXX ± .003		CONTRACT NO:		G-Way Microwave	
TREATMENT		APPROVALS	DATE		
FINISH 63/		ENG.		High "Q" Duplexer	REV.
MATERIAL AL6061-T6		DESIGN ACTIVITY		CBB918/6MK-S1	A
		CHECKED		SIZE	CAGE CODE
		ENG.		A	3K1H4
		DESIGN ACTIVITY		DWG NO:	CBB918/6MK-S1-1
				SCALE	None
				SHEET	1 OF 1