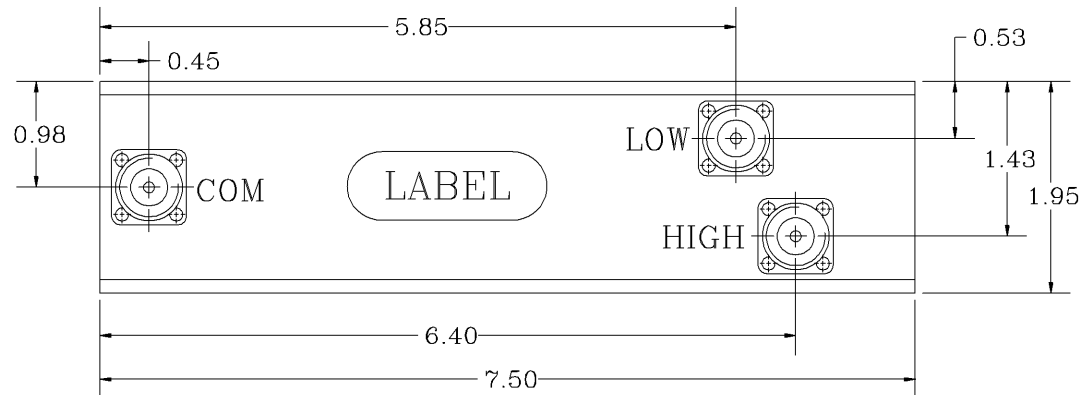
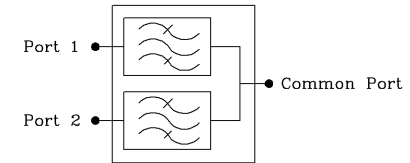
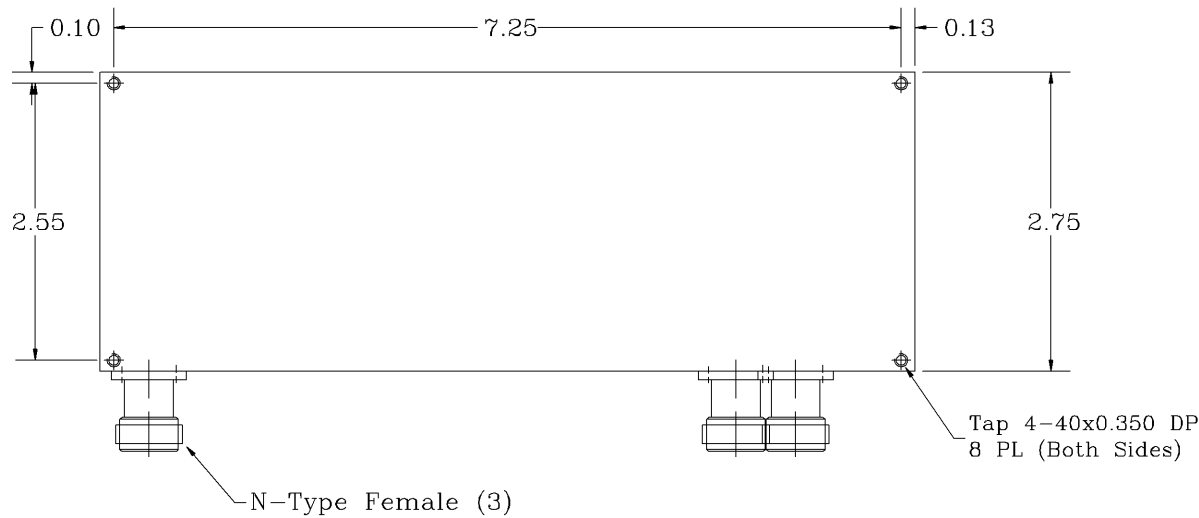


REVISIONS			
REV		DATE	APPROVED



Electrical Specifications

- *Low Pass Band Range [MHz] : 698 to 804
- *High Pass Band Range [MHz] : 824 to 950
- *Pass Band Insertion Loss @ Fo [dB] : <0.4, 0.3 (Typ.)
- *Pass Band Ripple [dB] : < 0.5 P-T-P
- *Low Attenuation @ 824 to 950 MHz [dB] : 65 (Min.), 70 (Typ.)
- *High Attenuation @ 698 to 804 MHz [dB] : 55 (Min.), 60 (Typ.)
- *Isolation between Passbands [dB] : 55 (Min.), 60 (Typ.)
- *Pass Band Return Loss [dB] : -18 (Max.), <1.28:1
- *Input/Output Impedance : 50 ohm
- *RF Power Capability CW : 10 Watts
- *Input/Output @ DC Ground Potential

NOTES:

1. BREAK ALL CORNERS & EDGES .005/.010.
2. FINAL FINISH:
EPOXY GRAY - OPTIONAL

OPERATING TEMPERATURE RANGE: -20°C TO +50°C

PROPRIETARY DOCUMENT:
THE CONTENTS OF THIS DOCUMENT WITH ALL INFORMATION AND PROCESSES ARE THE SOLE PROPERTY OF G-Way Microwave. THIS DOCUMENT MAY NOT BE DUPLICATED OR DISCLOSED TO ANY PARTY EXCEPT BY EXPRESSLY WRITTEN PERMISSION. THE ONLY AUTHORIZED USE OF THIS DOCUMENT BY A VENDOR IS FOR QUOTE PURPOSES AND SAID VENDOR AGREES NOT TO DISCLOSE ITS CONTENTS TO ANY THIRD PARTY. THIS DOCUMENT IS COPYRIGHTED 1998.

SKU # 88021110

DIMENSIONS ARE IN INCHES		CONTRACT NO:		G-Way Microwave	
TOLERANCES ARE ANGLES DECIMALS		APPROVALS DATE			
± 1"	X ± .05 XX ± .01 XXX ± .003	DRAWN Segal	12/10	CD751/887SK-F5	
TREATMENT	CHECKED	ENG. DESIGN ACTIVITY		SIZE A	CAGE CODE 3KI4
FINISH 63/				DWG NO: CD751/887SK-F5-1	REV. 0
MATERIAL AL6061-T6				SCALE None	SHEET 1 OF 1