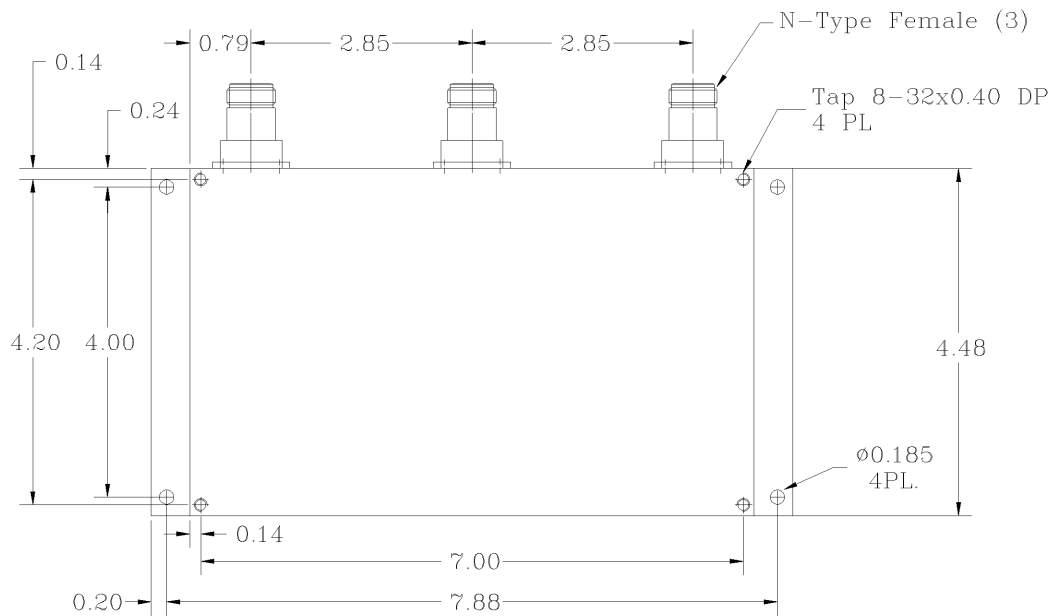
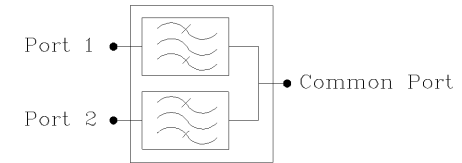
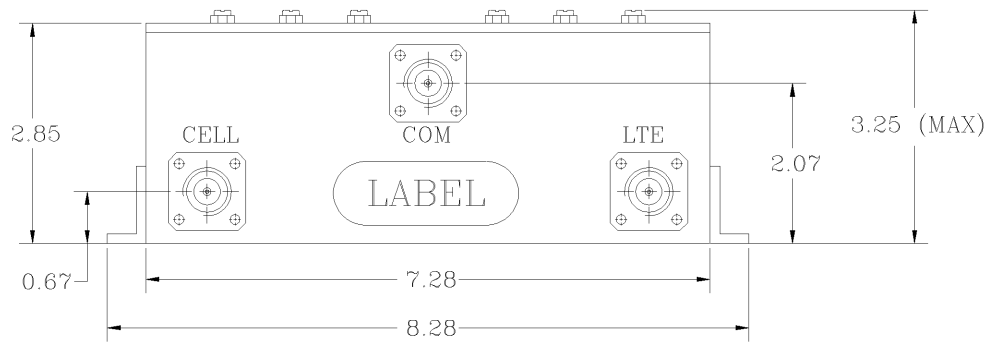


REVISIONS			
REV		DATE	APPROVED



### Electrical Specifications

- \*Low Pass Band Range [MHz] LTE : 698 to 806
- \*High Pass Band Range [MHz] CELL : 824 to 894
- \*Pass Band Insertion Loss [dB] : <0.5, 0.4 (Typ.)
- \*Pass Band Ripple [dB] : < 0.2 P-T-P
- \*Low Attenuation @ 824 to 894 MHz [dB] : 40 (Min), 45 (Typ.)
- \*High Attenuation @ 698 to 806 MHz [dB] : 40 (Min), 45 (Typ.)
- \*Isolation between Bands [dB] : 40 (Min.), 45 (Typ.)
- \*Pass Band Return Loss [dB] : -16 (Max.), <1.38:1
- \*Input/Output Impedance : 50 ohm
- \*RF Power Capability CW : 60 Watts
- PEAK : 600 Watts
- \*IM Products, IM3 @ 2 x +33 dBm [dBc] : -143 (Min.)
- \*IM Products, IM3 @ 2 x +43 dBm [dBc] : -133 (Typ.)
- \*Input/Output @ DC Ground Potential

OPERATING TEMPERATURE RANGE: -30°C TO +65°C

PROPRIETARY DOCUMENT:  
THE CONTENTS OF THIS DOCUMENT WITH ALL INFORMATION AND PROCESSES ARE THE SOLE PROPERTY OF G-Way Microwave. THIS DOCUMENT MAY NOT BE DUPLICATED OR DISCLOSED TO ANY PARTY EXCEPT BY EXPRESSLY WRITTEN PERMISSION. THE ONLY AUTHORIZED USE OF THIS DOCUMENT BY A VENDOR IS FOR QUOTE PURPOSES AND SAID VENDOR AGREES NOT TO DISCLOSE ITS CONTENTS TO ANY THIRD PARTY. THIS DOCUMENT IS COPYRIGHTED 1996.

SKU # 88021213

NOTES:

1. BREAK ALL CORNERS & EDGES.005/.010.
2. FINAL FINISH:  
EPOXY GRAY - OPTIONAL

DIMENSIONS ARE IN INCHES: TOLERANCES ARE ANGLES DECIMALS ± 1" .X ± .05 XX ± .01 XXX ± .003		CONTRACT NO:		<b>G-Way Microwave</b>	
TREATMENT		APPROVALS	DATE		
FINISH 63/		DRAWN Segal	05/12	CD752/859SK-D3	
MATERIAL AL6061-T6		CHECKED		SIZE A	CAGE CODE 3K1H4
		ENG.		DWG NO: CD752/859SK-D3-1	REV. 0
		DESIGN ACTIVITY		SCALE None	SHEET 1 OF 1