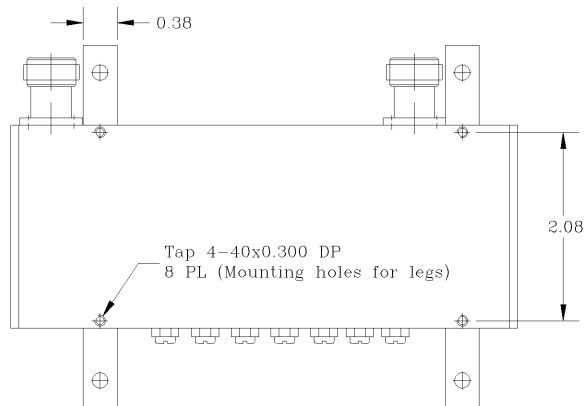
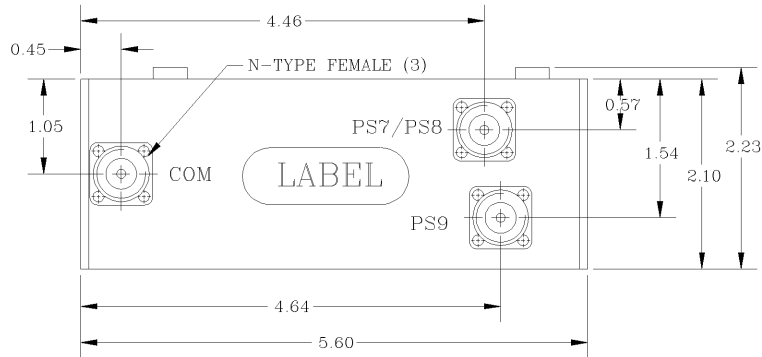
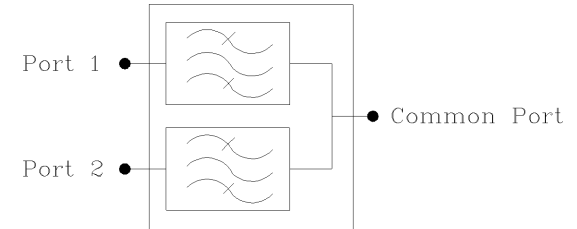
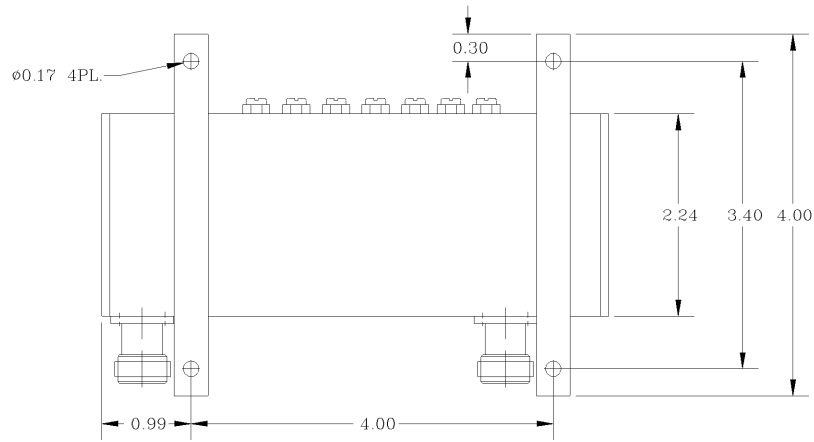


REVISIONS			
REV		DATE	APPROVED



ELECTRICAL SPECIFICATIONS:

*Low Passband [MHz]	: 763 to 869
*Pass Band Insertion Loss [dB]	: < 0.6, 0.5 (Typ.)
*Pass Band Ripple [dB]	: <0.4 P-T-P
*Low Band Rejection @ 896 to 941 MHz [dB]	: 40 (Min.), 45 (Typ.)
*High Passband [MHz]	: 896 to 941
*Pass Band Insertion Loss [dB]	: < 0.6, 0.55 (Typ.)
*Pass Band Ripple [dB]	: <0.4 P-T-P
*High Band Rejection @ 763 to 869 MHz [dB]	: 40 (Min.), 45 (Typ.)
*Isolation Between Filters [dB]	: 40 (Min.), 45 (Typ.)
*Pass Band Return Loss [dB]	: <-18 (Max), <1.3:1
*Input/Output Impedance	: 50 ohm
*RF Power Capability CW	: 10 Watt

OPERATING TEMPERATURE RANGE -30°C to +55°C

PROPRIETARY DOCUMENT:
THE CONTENTS OF THIS DOCUMENT WITH ALL INFORMATION AND PROCESSES ARE THE SOLE PROPERTY OF G-Way Microwave. THIS DOCUMENT MAY NOT BE DUPLICATED OR DISCLOSED TO ANY PARTY EXCEPT BY EXPRESSLY WRITTEN PERMISSION. THE ONLY AUTHORIZED USE OF THIS DOCUMENT BY A VENDOR IS FOR QUOTE PURPOSES AND SAID VENDOR AGREES NOT TO DISCLOSE ITS CONTENTS TO ANY THIRD PARTY. THIS DOCUMENT IS COPYRIGHTED 1998.

SKU # 98001618

NOTES:

- BREAK ALL CORNERS & EDGES.005/.010.
- FINAL FINISH:
EPOXY GRAY - OPTIONAL

DIMENSIONS ARE IN INCHES: TOLERANCES ARE ANGLES DECIMALS		CONTRACT NO:		G-Way Microwave			
± 1"	.X ± .05 .XX ± .01 .XXX ± .003	APPROVALS	DATE	TITLE Combiner PS7/PS8 / PS9			
TREATMENT		DRAWN Sivak	01/09	CD816/918SK-M3			
FINISH 63/		CHECKED		SIZE	CAGE CODE	DWG NO:	REV.
MATERIAL AL6061-T6		ENG.		A	3K1H4	CD816/918SK-M3-1	0
		DESIGN ACTIVITY		SCALE	None		SHEET 1 OF 1