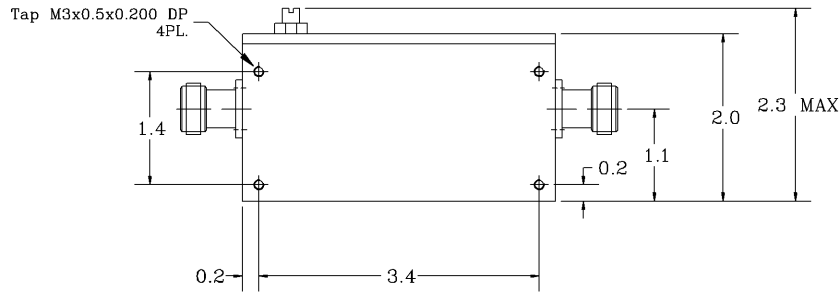
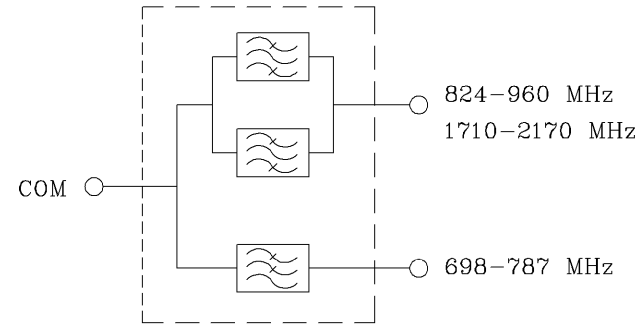
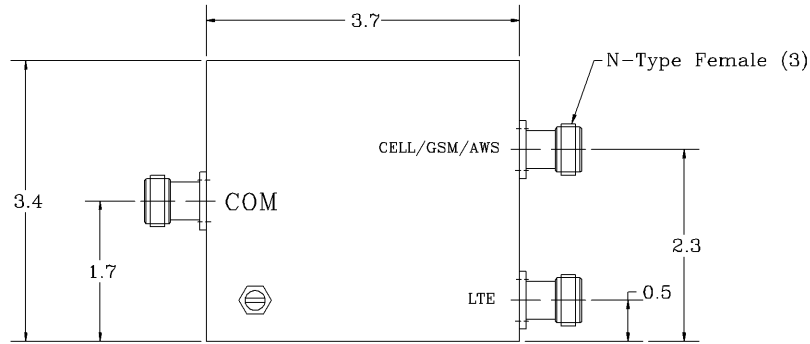


REVISIONS			
REV		DATE	APPROVED



Electrical Specifications

- *LTE Frequency Range [MHz] : 698-787
- *Passband Insertion Loss [dB] : 0.6 (Max.), 0.5 (Typ.)
- *Passband Ripple [dB] : <0.5 P-T-P
- *CELL/GSM Frequency Range [MHz] : 824-960
- *Passband Insertion Loss [dB] : 0.6 (Max.), 0.5 (Typ.)
- *Passband Ripple [dB] : <0.5 P-T-P
- *AWS Frequency Range [MHz] : 1710-2170
- *Passband Insertion Loss [dB] : 0.3 (Max.), 0.2 (Typ.)
- *Passband Ripple [dB] : <0.5 P-T-P
- *Isolation Between All Filters [dB] : 40 (Min.), 45 (Typ.)
- *Impedance [Ohm] : 50
- *VSWR IN/OUT : 1.32:1 (Max.)
- *IM Products @ 2 x +33dBm, IM3 [dBc] : -143 (Typ.)
- *Power Handling CW : 5 Watt
- *FINISH - Textured Epoxy Blue
- *Net Weight : 0.8 kg/1.8 lb

OPERATING TEMPERATURE RANGE: -20°C TO +50°C

PROPRIETARY DOCUMENT.
THE CONTENTS OF THIS DOCUMENT WITH ALL INFORMATION AND PROCESSES ARE THE SOLE PROPERTY OF G-Way Microwave. THIS DOCUMENT MAY NOT BE DUPLICATED OR DISCLOSED TO ANY PARTY EXCEPT BY EXPRESSLY WRITTEN PERMISSION. THE ONLY AUTHORIZED USE OF THIS DOCUMENT BY A VENDOR IS FOR QUOTE PURPOSES AND SAID VENDOR AGREES NOT TO DISCLOSE ITS CONTENTS TO ANY THIRD PARTY. THIS DOCUMENT IS COPYRIGHTED 1998.

SKU # 88021108

DIMENSIONS ARE IN INCHES TOLERANCES ARE		CONTRACT NO:		G-Wave, Inc.			
ANGLES ± 1°	DECIMALS X ± .05 .XX ± .01 .XXX ± .005	APPROVALS	DATE				
TREATMENT	FINISH 63/	DRAWN Sivak	07/10	Combiner LTE/CELL/GSM/AWS		0	
MATERIAL AL6061-T6	DESIGN ACTIVITY	CHECKED	ENG.	SIZE A	CAGE CODE	DWG NO: CM742.5/892/1940SK-ST-1	
				SCALE None	SHEET 1 OF 1		