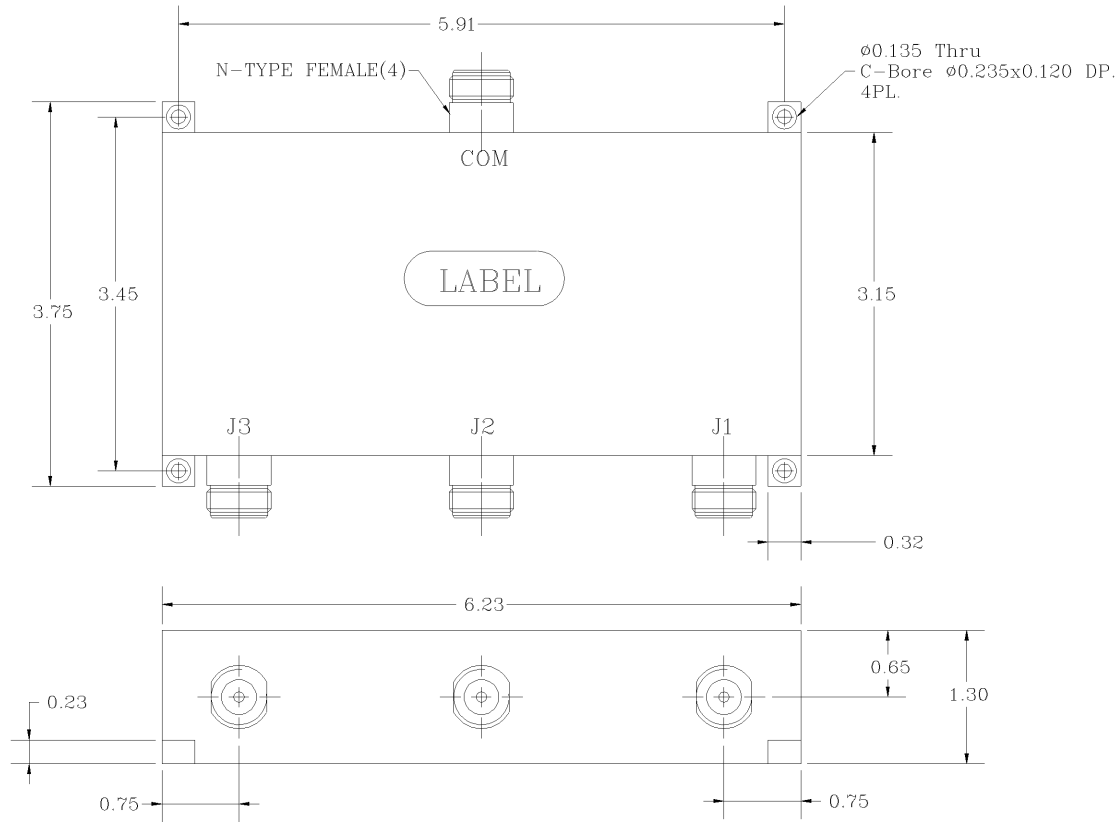


REVISIONS			
REV		DATE	APPROVED



Electrical Specifications

- *Frequency Range [MHz] : 360 – 520
- *Insertion Loss above 4.7 dB [dB] : < 0.6 (Typ.)
- *Amplitude Balance between Ports [dB] : +/-0.3 (Max.)
- *Phase Balance between Ports [degrees] : +/- 3.0 (Max.)
- *Isolation between Ports [dB] : 18 (Typ.)
- *Pass Band VSWR : < 1.25:1
- *Input/Output Impedance : 50 ohm
- *RF Forward Power Capability CW : 50 Watts
- *Reverse Power Capability CW : 5 Watts

OPERATING TEMPERATURE RANGE: -30°C TO +55°C

SKU # 98001046

PROPRIETARY DOCUMENT:
THE CONTENTS OF THIS DOCUMENT WITH ALL INFORMATION AND PROCESSES ARE THE SOLE PROPERTY OF G-Way Microwave. THIS DOCUMENT MAY NOT BE DUPLICATED OR DISCLOSED TO ANY PARTY EXCEPT BY EXPRESSLY WRITTEN PERMISSION. THE ONLY AUTHORIZED USE OF THIS DOCUMENT BY A VENDOR IS FOR QUOTE PURPOSES AND SAID VENDOR AGREES NOT TO DISCLOSE ITS CONTENTS TO ANY THIRD PARTY. THIS DOCUMENT IS COPYRIGHTED 1998.

NOTES:

1. BREAK ALL CORNERS & EDGES.005/.010.
2. FINAL FINISH:
TEXTURED EPOXY BLACK – OPTIONAL.

DIMENSIONS ARE IN INCHES: TOLERANCES ARE ANGLES DECIMALS ± 1° .X ± .05 .XX ± .01 .XXX ± .003		CONTRACT NO:		TITLE	
TREATMENT		APPROVALS	DATE	3-Ways Power Divider	
FINISH 63/		DRAWN Sivak	04/07	360-520 MHz	
MATERIAL AL6061-T6		CHECKED	ENG.	SIZE A	CAGE CODE 3K1H4
		DESIGN ACTIVITY		DWG NO: MSI-B0360	REV. 0
				SCALE None	SHEET 1 OF 1

G-Way Microwave