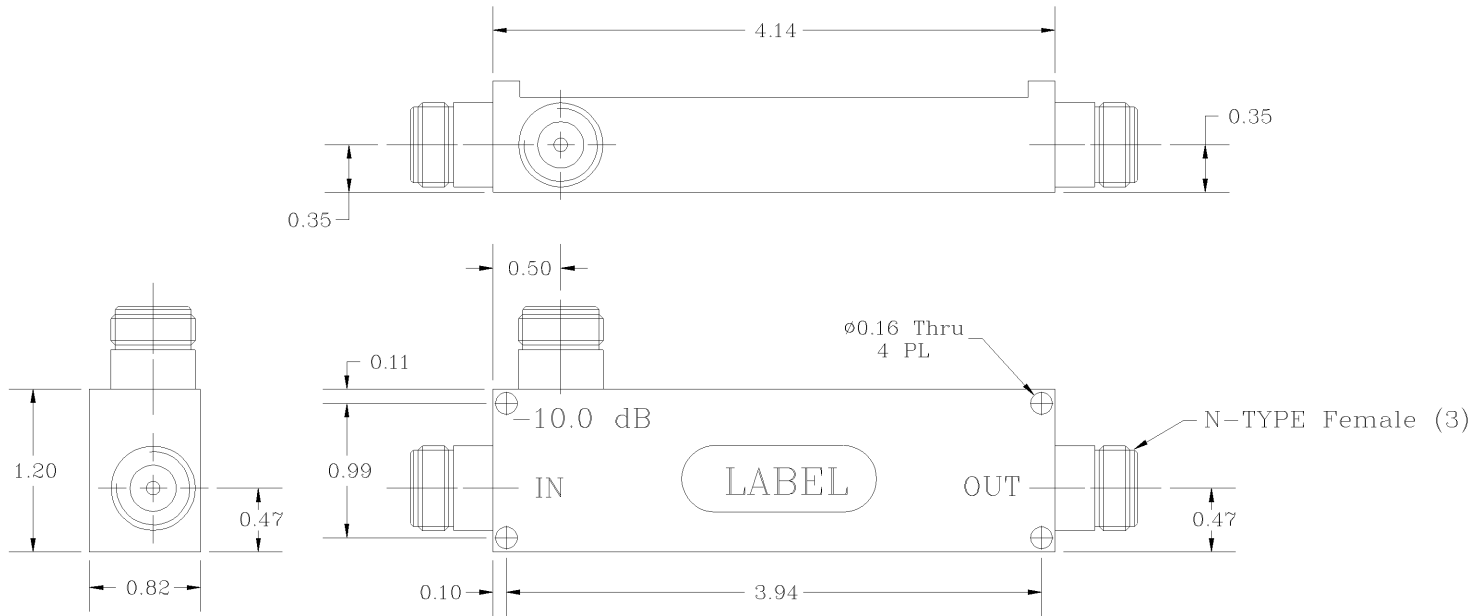


REVISIONS			
REV		DATE	APPROVED



### Electrical Specifications

*Frequency Range [MHz]	: 700 - 2500
*Insertion Loss [dB]	: 0.9 (Typ.)
*Frequency Sensitivity [dB]	: +/- 0.7
*Coupling [dB]	: 10 ± 0.8
*Directivity [dB]	: 20 (Typ.)
*Pass Band VSWR	: 1.25:1 (Typ.)
*Input/Output Impedance	: 50 ohm
*RF Power Capability CW	: 30 Watts

OPERATING TEMPERATURE RANGE: -35°C TO +85°C

SKU # 98001016

PROPRIETARY DOCUMENT:  
THE CONTENTS OF THIS DOCUMENT WITH ALL INFORMATION AND PROCESSES ARE THE SOLE PROPERTY OF G-Way Microwave. THIS DOCUMENT MAY NOT BE DUPLICATED OR DISCLOSED TO ANY PARTY EXCEPT BY EXPRESSLY WRITTEN PERMISSION. THE ONLY AUTHORIZED USE OF THIS DOCUMENT BY A VENDOR IS FOR QUOTE PURPOSES AND SAID VENDOR AGREES NOT TO DISCLOSE ITS CONTENTS TO ANY THIRD PARTY. THIS DOCUMENT IS COPYRIGHTED 1998.

NOTES:

- BREAK ALL CORNERS & EDGES.005/010.
- FINAL FINISH:  
TEXTURED EPOXY BLACK - OPTIONAL.

DIMENSIONS ARE IN INCHES: TOLERANCES ARE ANGLES    DECIMALS ± 1"       X ± .05 XX ± .01 XXX ± .003		CONTRACT NO:		<b>G-Way Microwave</b>	
TREATMENT		APPROVALS	DATE		
FINISH 63/		CHECKED		700-2500 MHz, 30 Watt	REV.
MATERIAL AL6061-T6		DESIGN ACTIVITY		SIZE A	CAGE CODE 3K1H4
TGD-B1021-6				DWG NO: MSI-LTE-B1021-10	0
				SCALE None	SHEET 1 OF 1