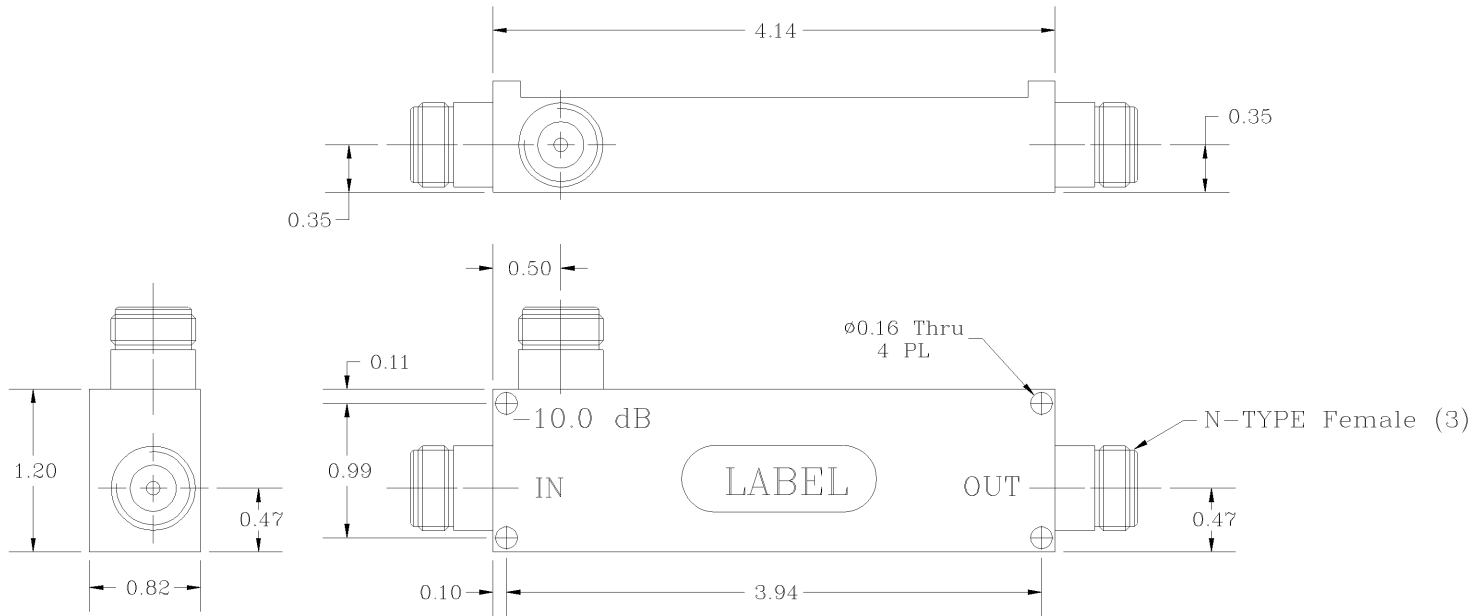


REVISIONS			
REV		DATE	APPROVED



Electrical Specifications

*Frequency Range [MHz]	: 700 - 2500
*Insertion Loss [dB]	: 0.7 (Typ.)
*Frequency Sensitivity [dB]	: +/- 0.7
*Coupling [dB]	: 15 ± 0.8
*Directivity [dB]	: 20 (Typ.)
*Pass Band VSWR	: 1.25:1 (Typ.)
*Input/Output Impedance	: 50 ohm
*RF Power Capability CW	: 30 Watts

OPERATING TEMPERATURE RANGE: -35°C TO +85°C

SKU # 98001014

PROPRIETARY DOCUMENT:
THE CONTENTS OF THIS DOCUMENT WITH ALL INFORMATION AND PROCESSES ARE THE SOLE PROPERTY OF G-Way Microwave. THIS DOCUMENT MAY NOT BE DUPLICATED OR DISCLOSED TO ANY PARTY EXCEPT BY EXPRESSLY WRITTEN PERMISSION. THE ONLY AUTHORIZED USE OF THIS DOCUMENT BY A VENDOR IS FOR QUOTE PURPOSES AND SAID VENDOR AGREES NOT TO DISCLOSE ITS CONTENTS TO ANY THIRD PARTY. THIS DOCUMENT IS COPYRIGHTED 1998.

NOTES:

- BREAK ALL CORNERS & EDGES.005/010.
- FINAL FINISH:
TEXTURED EPOXY BLACK - OPTIONAL.

DIMENSIONS ARE IN INCHES: TOLERANCES ARE ANGLES DECIMALS ± 1" .X ± .05 XX ± .01 XXX ± .003		CONTRACT NO:		G-Way Microwave	
TREATMENT		APPROVALS	DATE		
FINISH 63/		DRAWN Segal	09/10	15 dB Coupler	
MATERIAL AL6061-T6		CHECKED		700-2500 MHz, 30 Watt	
		ENG.		SIZE	CAGE CODE
		DESIGN ACTIVITY		A	3K1H4
				DWG NO:	MSI-LTE-B1021-15
				SCALE	None
				SHEET	1 OF 1
				REV.	0