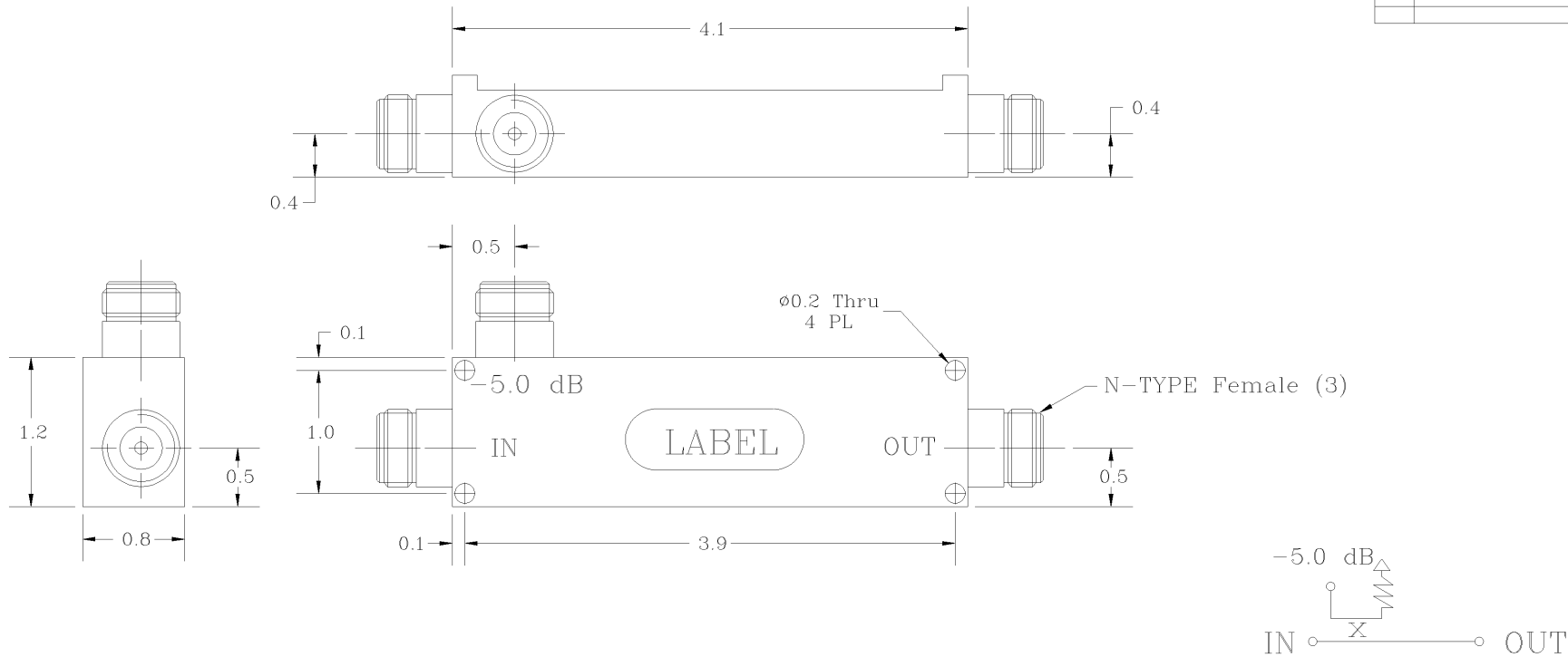


REVISIONS			
REV		DATE	APPROVED



SKU # 98001017

### Electrical Specifications

- \*Frequency Range [MHz] : 700 - 2500
- \*Insertion Loss [dB] : 2.0 (Typ.)
- \*Frequency Sensitivity [dB] : +/- 0.7
- \*Coupling [dB] : 5.0 ± 0.5
- \*Directivity [dB] : 20 (Typ.)
- \*Pass Band VSWR : 1.25:1 (Typ.)
- \*Input/Output Impedance : 50 ohm
- \*RF Power Capability CW : 30 Watts

OPERATING TEMPERATURE RANGE: -35°C TO +85°C

PROPRIETARY DOCUMENT:  
 THE CONTENTS OF THIS DOCUMENT WITH ALL INFORMATION AND PROCESSES ARE THE SOLE PROPERTY OF G-Way Microwave. THIS DOCUMENT MAY NOT BE DUPLICATED OR DISCLOSED TO ANY PARTY EXCEPT BY EXPRESSLY WRITTEN PERMISSION. THE ONLY AUTHORIZED USE OF THIS DOCUMENT BY A VENDOR IS FOR QUOTE PURPOSES AND SAID VENDOR AGREES NOT TO DISCLOSE ITS CONTENTS TO ANY THIRD PARTY. THIS DOCUMENT IS COPYRIGHTED 1998.

NOTES:

- 1.BREAK ALL CORNERS & EDGES.005/.010.
- 2.FINAL FINISH:  
TEXTURED EPOXY BLACK - OPTIONAL.

DIMENSIONS ARE IN INCHES: TOLERANCES ARE ANGLES DECIMALS ± 1" .X ± .05 XX ± .01 XXX ± .003		CONTRACT NO:		<b>G-Way Microwave</b>	
TREATMENT		APPROVALS	DATE		
FINISH 63/	ENG.	DRAWN Segal	03/11	5.0 dB Coupler (Used as 4.8 dB) 700-2500 MHz, 30 Watt	
MATERIAL AL6061-T6	DESIGN ACTIVITY	CHECKED		SIZE A	CAGE CODE 3K1H4
	TGD-B1021-5	ENG.		DWG NO: MSI-LTE-B201-5	REV. 0
				SCALE None	SHEET 1 OF 1