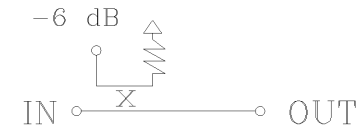
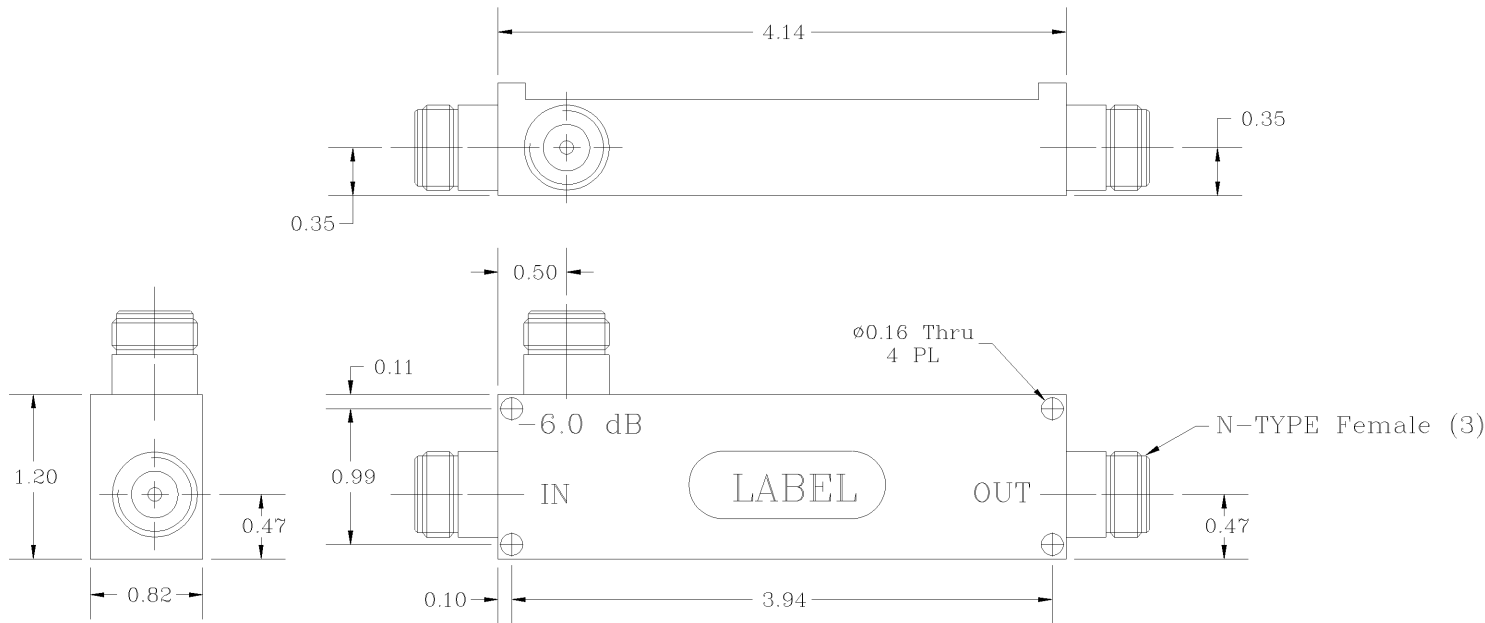


REVISIONS			
REV		DATE	APPROVED



Electrical Specifications

*Frequency Range [MHz]	: 700 - 2500
*Insertion Loss [dB]	: 1.9 (Typ.)
*Frequency Sensitivity [dB]	: +/- 0.7
*Coupling [dB]	: 6 ± 0.5
*Directivity [dB]	: 20 (Typ.)
*Pass Band VSWR	: 1.25:1 (Typ.)
*Input/Output Impedance	: 50 ohm
*RF Power Capability CW	: 30 Watts

OPERATING TEMPERATURE RANGE: -35°C TO +85°C

SKU # 98001013

PROPRIETARY DOCUMENT:
THE CONTENTS OF THIS DOCUMENT WITH ALL INFORMATION AND PROCESSES ARE THE SOLE PROPERTY OF G-Way Microwave. THIS DOCUMENT MAY NOT BE DUPLICATED OR DISCLOSED TO ANY PARTY EXCEPT BY EXPRESSLY WRITTEN PERMISSION. THE ONLY AUTHORIZED USE OF THIS DOCUMENT BY A VENDOR IS FOR QUOTE PURPOSES AND SAID VENDOR AGREES NOT TO DISCLOSE ITS CONTENTS TO ANY THIRD PARTY. THIS DOCUMENT IS COPYRIGHTED 1998.

NOTES:

- BREAK ALL CORNERS & EDGES.005/010.
- FINAL FINISH:
TEXTURED EPOXY BLACK - OPTIONAL.

DIMENSIONS ARE IN INCHES: TOLERANCES ARE ANGLES DECIMALS ± 1° .X ± .05 .XX ± .01 .XXX ± .003		CONTRACT NO:		APPROVALS		DATE		TITLE	
TREATMENT		DRAWN Segal		09/10		700-2500 MHz, 30 Watt		REV.	
FINISH 63/		CHECKED		ENG.		SIZE A		CAGE CODE 3K1H4	
MATERIAL AL6061-T6		DESIGN ACTIVITY		TGD-B1021-6		DWG NO: MSI-LTE-B1021-6		SHEET 1 OF 1	

G-Way Microwave

6 dB Coupler
700-2500 MHz, 30 Watt

0

SHEET 1 OF 1