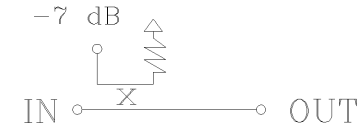
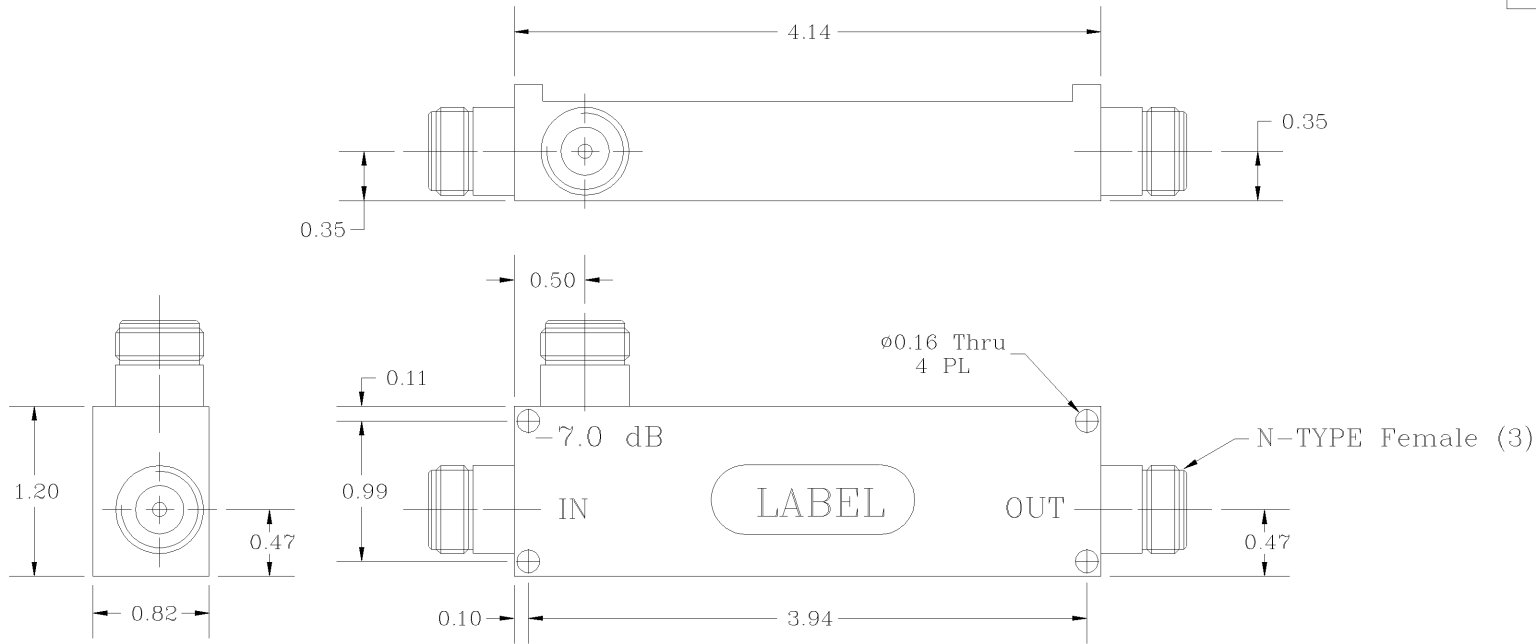


| REVISIONS | | | |
|-----------|--|------|----------|
| REV | | DATE | APPROVED |
| | | | |
| | | | |
| | | | |



Electrical Specifications

| | |
|-----------------------------|-----------------|
| *Frequency Range [MHz] | : 700 - 2500 |
| *Insertion Loss [dB] | : 1.4 (Typ.) |
| *Frequency Sensitivity [dB] | : +/- 0.7 |
| *Coupling [dB] | : 7 ± 0.5 |
| *Directivity [dB] | : 20 (Typ.) |
| *Pass Band VSWR | : 1.25:1 (Typ.) |
| *Input/Output Impedance | : 50 ohm |
| *RF Power Capability CW | : 30 Watts |

OPERATING TEMPERATURE RANGE: -35°C TO +85°C

SKU # 98001015

PROPRIETARY DOCUMENT:
THE CONTENTS OF THIS DOCUMENT WITH ALL INFORMATION AND PROCESSES ARE THE SOLE PROPERTY OF G-Way Microwave. THIS DOCUMENT MAY NOT BE DUPLICATED OR DISCLOSED TO ANY PARTY EXCEPT BY EXPRESSLY WRITTEN PERMISSION. THE ONLY AUTHORIZED USE OF THIS DOCUMENT BY A VENDOR IS FOR QUOTE PURPOSES AND SAID VENDOR AGREES NOT TO DISCLOSE ITS CONTENTS TO ANY THIRD PARTY. THIS DOCUMENT IS COPYRIGHTED 1998.

NOTES:

1. BREAK ALL CORNERS & EDGES .005/.010.
2. FINAL FINISH:
TEXTURED EPOXY BLACK - OPTIONAL.

| | | | | | |
|--|--------------------------------------|--------------|-------|------------------------|-----------------|
| DIMENSIONS ARE IN INCHES TOLERANCES ARE | | CONTRACT NO: | | G-Way Microwave | |
| ANGLES | DECIMALS | APPROVALS | DATE | | |
| ± 1° | .X ± .05 .XX ± .01 .XXX ± .003 | DRAWN Segal | 09/10 | TITLE 7 dB Coupler | |
| TREATMENT | CHECKED | | | 700-2500 MHz, 30 Watt | |
| FINISH 63/ | ENG. | | | SIZE | CAGE CODE |
| | DESIGN ACTIVITY | | | A | 3K1H4 |
| MATERIAL AL6061-T6 | TGD-B1021-7 | | | DWG NO: | MSI-LTE-B1021-7 |
| | | | | REV. | 0 |
| | | | | SCALE | None |
| | | | | SHEET | 1 OF 1 |