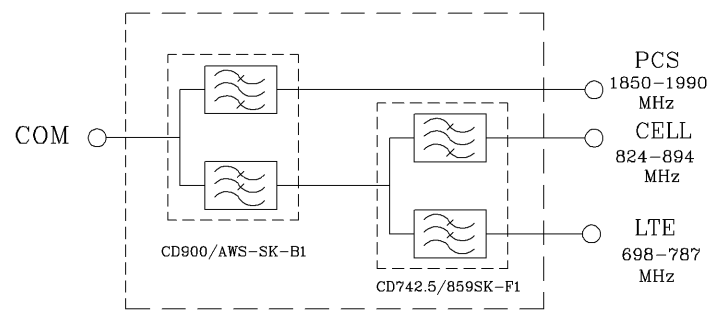


REVISIONS			
REV		DATE	APPROVED



Electrical Specifications

- *LTE Frequency Range [MHz] : 698-787
- *Passband Insertion Loss [dB] : 0.8 (Max.), 0.7 (Typ.)
- *Passband Ripple [dB] : <0.3 P-T-P
- *CELL Frequency Range [MHz] : 824-894
- *Passband Insertion Loss [dB] : 0.8 (Max.), 0.7 (Typ.)
- *Passband Ripple [dB] : <0.3 P-T-P
- *PCS Frequency Range [MHz] : 1850-1990
- *Passband Insertion Loss [dB] : 0.6 (Max.), 0.5 (Typ.)
- *Passband Ripple [dB] : <0.3 P-T-P
- *Isolation Between All Filters [dB] : 65 (Typ.)
- *Impedance [Ohm] : 50
- *VSWR IN/OUT : 1.28:1 (Max.)
- *RF Power Capability CW : 20 Watts
- *FINISH: FLAT EPOXY BLACK
- *Net Weight : 2.2 kg/4.9 lb

OPERATING TEMPERATURE RANGE: -20°C TO +50°C

PROPRIETARY DOCUMENT:
 THE CONTENTS OF THIS DOCUMENT WITH ALL INFORMATION AND PROCESSES ARE THE SOLE PROPERTY OF G-Wave Microwave. THIS DOCUMENT MAY NOT BE DUPLICATED OR DISCLOSED TO ANY PARTY EXCEPT BY EXPRESSLY WRITTEN PERMISSION. THE ONLY AUTHORIZED USE OF THIS DOCUMENT BY A VENDOR IS FOR QUOTE PURPOSES AND SAID VENDOR AGREES NOT TO DISCLOSE ITS CONTENTS TO ANY THIRD PARTY. THIS DOCUMENT IS COPYRIGHTED 1998.

SKU # 88701008

DIMENSIONS ARE IN INCHES TOLERANCES ARE		CONTRACT NO:		G-Wave, Inc.					
ANGLES ± 1°	DECIMALS X ± .05 .XX ± .01 .XXX ± .005	APPROVALS	DATE					TITLE Combiner LTE/CELL/PCS	
TREATMENT	FINISH 63/	DRAWN Segal	08/12	RCM-LTE/CELL/PCS-SK-A		SIZE	CAGE CODE	DWG NO:	REV.
MATERIAL AL6061-T6		CHECKED		A		RCM-LTE/CELL/PCS-SK-A-1			0
		ENG.		SCALE None				SHEET 1	OF 1