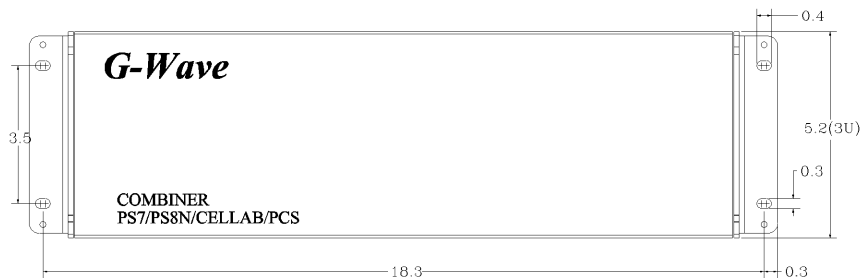
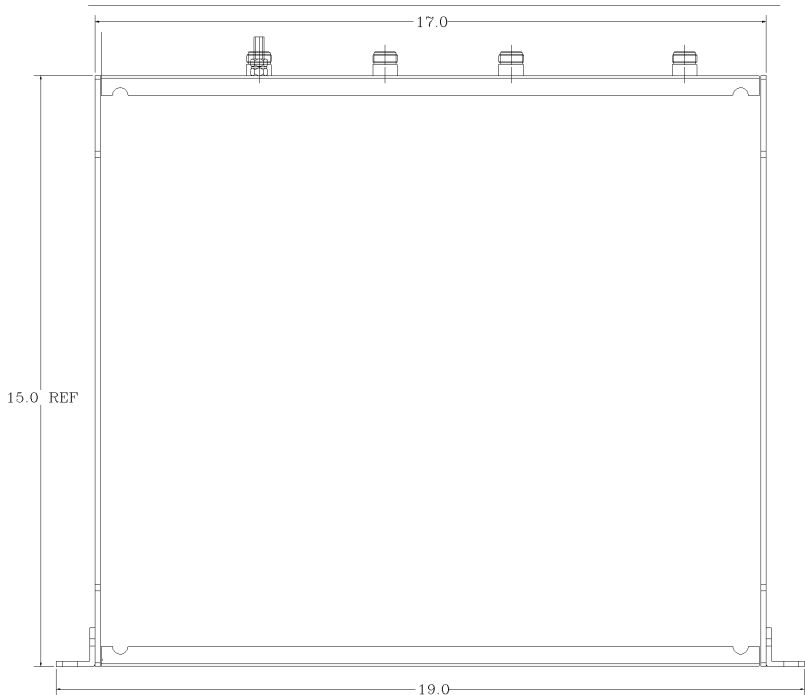
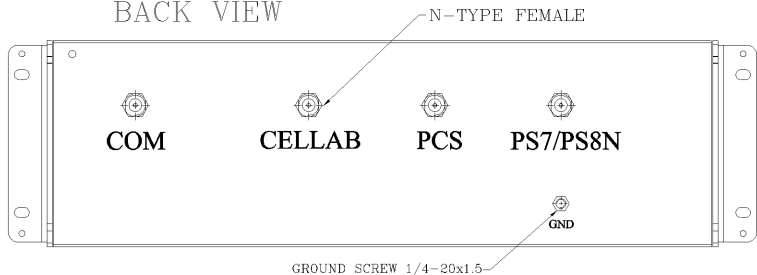
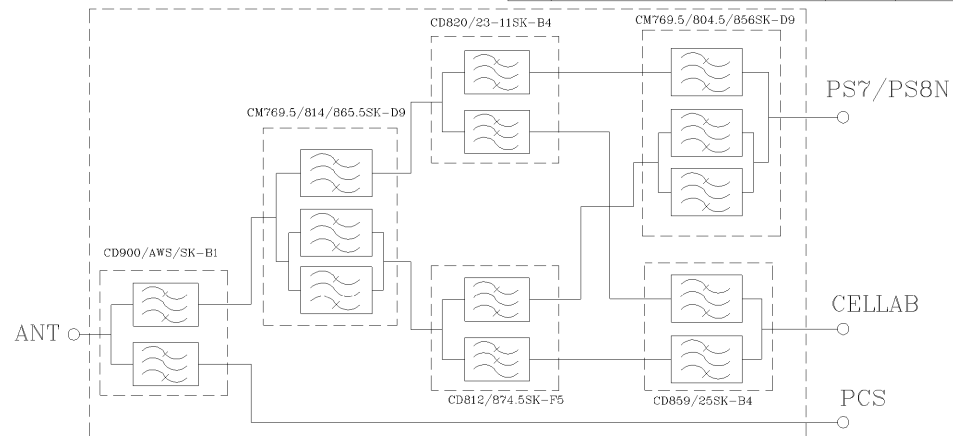


BACK VIEW



REVISIONS			
REV		DATE	APPROVED



Electrical Specifications

PS7/PS8N Path

- *Downlink Pass Band Frequency Range [MHz] : 763 to 775
: 851 to 861
- *Pass Band Insertion Loss [dB] : < 4.5 (Typ.)
- *Uplink Pass Band Frequency Range [MHz] : 793 to 816
- *Pass Band Insertion Loss [dB] : < 3.5 (Typ.)

Cell AB Path

- *Downlink Pass Band Frequency Range [MHz] : 869 to 894
- *Pass Band Insertion Loss [dB] : < 3.8 (Typ.)
- *Uplink Pass Band Frequency Range [MHz] : 824 to 849
- *Pass Band Insertion Loss [dB] : <3.8 (Typ.)

PCS Path

- *Downlink Pass Band Frequency Range [MHz] : 1930 to 1990
- *Pass Band Insertion Loss [dB] : < 0.8 (Typ.)
- *Uplink Pass Band Frequency Range [MHz] : 1850 to 1910
- *Pass Band Insertion Loss [dB] : <0.8 (Typ.)
- *Pass Band Ripple [dB] : < 0.5 P-T-P
- *Isolation between Bands [dB] : 40 (Min.), 45 (Typ.)
- *Input/Output Impedance : 50 ohm
- *Pass Band Return Loss [dB] : -18 (Typ), <1.28:1
- *RF Power Capability CW All Ports : 20 Watts
- *Input/Output @ DC Ground Potential
- *FINISH - Textured EPOXY BLACK
- *Net Weight : 8.3 kg/18.4 lb

OPERATING TEMPERATURE RANGE: -20°C TO +50°C

PROPRIETARY DOCUMENT.
THE CONTENTS OF THIS DOCUMENT WITH ALL INFORMATION AND PROCESSES ARE THE SOLE PROPERTY OF G-Way Microwave. THIS DOCUMENT MAY NOT BE DUPLICATED OR DISCLOSED TO ANY PARTY EXCEPT BY EXPRESSLY WRITTEN PERMISSION. THE ONLY AUTHORIZED USE OF THIS DOCUMENT BY A VENDOR IS FOR QUOTE PURPOSES AND SAID VENDOR AGREES NOT TO DISCLOSE ITS CONTENTS TO ANY THIRD PARTY. THIS DOCUMENT IS COPYRIGHTED 1998.

SKU # 88701144

DIMENSIONS ARE IN INCHES: TOLERANCES ARE		CONTRACT NO:		G-Wave, Inc.					
ANGLES	DECIMALS	APPROVALS	DATE					TITLE	
± 1°	.XX ± .05 .XXX ± .01 .XXX ± .003	DRAWN Sivak	09/12	RCM-PS7/PS8N/CELLAB/PCSF-SK-R-3U15		SIZE	CAGE CODE	DWG NO:	REV.
TREATMENT		CHECKED		A		RCM-PS7/PS8N/CELLAB/PCSF-SK-R-3U15-1		0	
FINISH	63	DESIGN ACTIVITY		SCALE	None			SHEET	1 OF 1
MATERIAL	AL6061-T6								