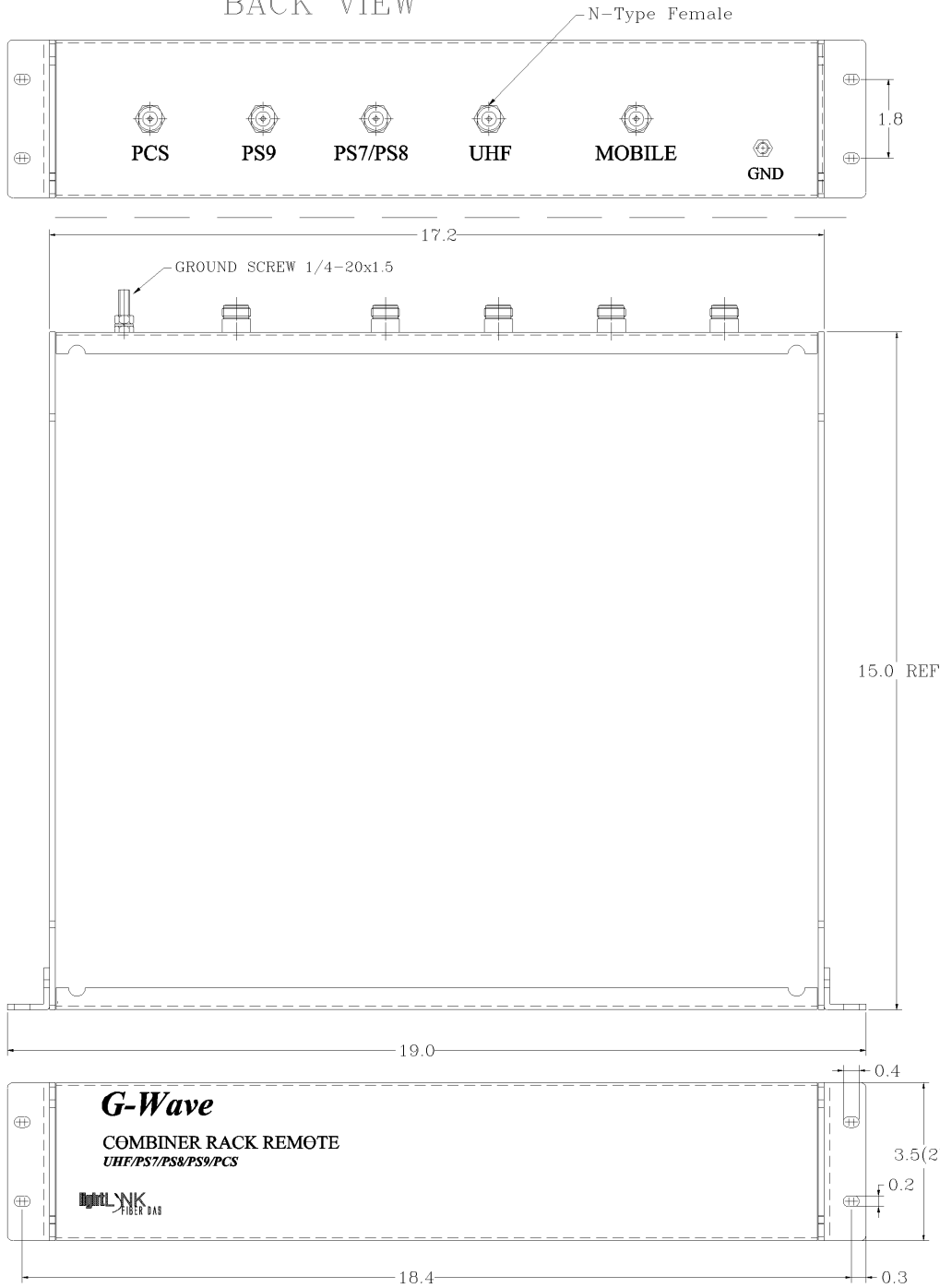
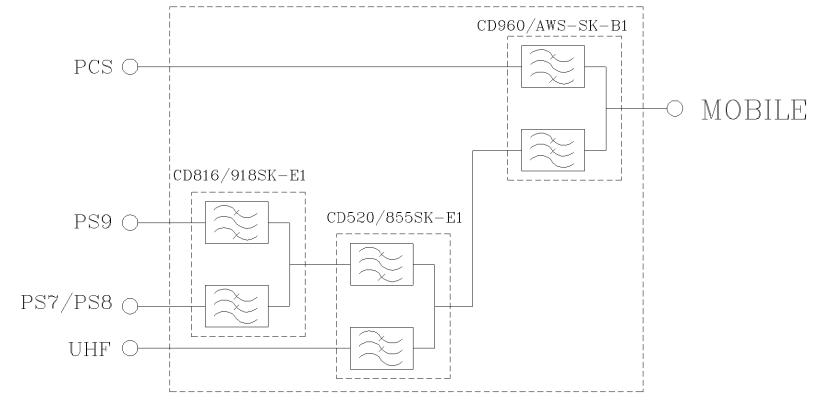


# BACK VIEW



SKU # 98701584

REVISIONS			
REV		DATE	APPROVED



## Electrical Specifications

- \*UHF Frequency Range [MHz] : 380 to 512
- \*Passband Insertion loss [dB] : 1.8 (Max.), 1.6 (Typ.)
- \*PS700/800 Frequency Range [MHz] : 763 to 869
- \*Passband Insertion loss [dB] : 1.8 (Max.), 1.6 (Typ.)
- \*PS900 Frequency Range [MHz] : 896 to 941
- \*Passband Insertion loss [dB] : 2.0 (Max.), 1.8 (Typ.)
- \*PCS Frequency Range [MHz] : 1850 to 1990
- \*Passband Insertion loss [dB] : 0.6 (Max.), 0.4 (Typ.)
- \*Isolation between Passbands [dB] : 30 (Min.), 40 (Typ.)
- \*Power CW : 20 Watt
- \*Input/Output Impedance : 50 ohm
- \*VSWR IN/OUT : <1.4:1
- \*FINAL FINISH: FLAT BLACK

OPERATING TEMPERATURE RANGE: -20°C TO +50°C

DIMENSIONS ARE IN INCHES TOLERANCES ARE		CONTRACT NO:		<b>G-Wave, Inc.</b>					
ANGLES	DECIMALS	APPROVALS	DATE					TITLE REMOTE Combiner UHF/PS7/PS8/PS9/PCS	
± 1°	.XX ± .05 .XX ± .01 .XXX ± .003	DRAWN Sivak	04/14	RCM-UHF/PS7/PS8/PS9/PCS-SK-A3		SIZE	CAGE CODE	DWG NO:	REV.
TREATMENT		CHECKED		A		RCM-UHF/PS7/PS8/PS9/PCS-SK-A3-1			0
FINISH	63/	ENG.		SCALE None		SHEET 1 OF 1			
MATERIAL		DESIGN ACTIVITY							