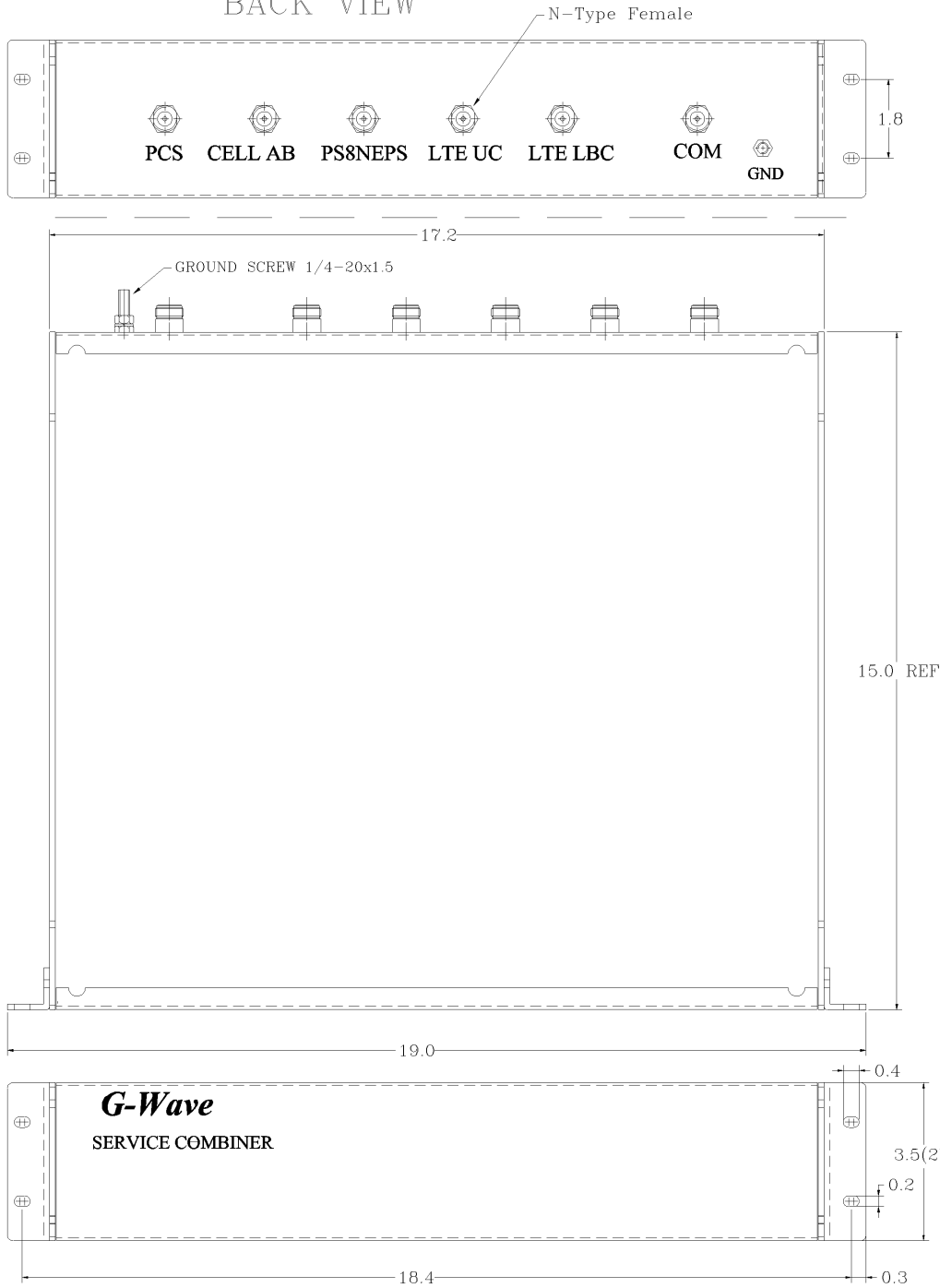
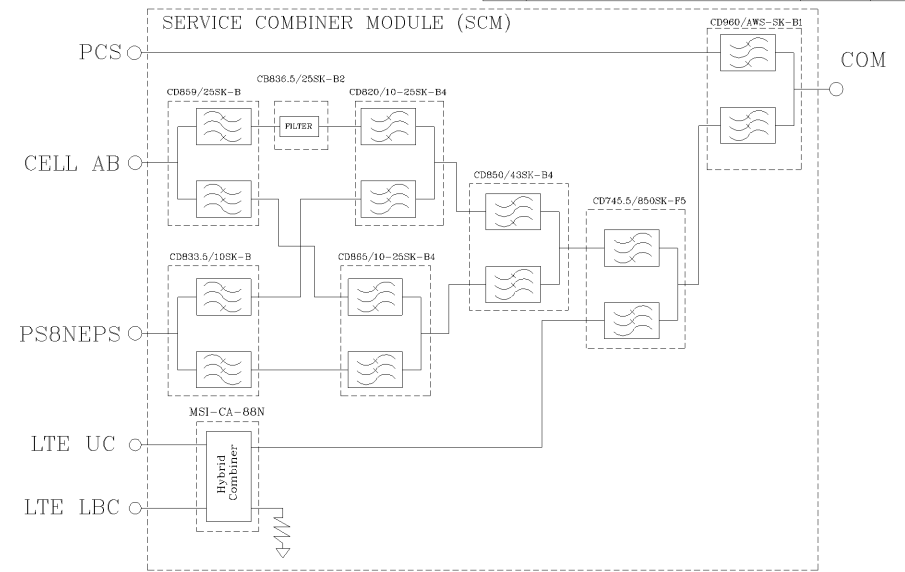


BACK VIEW



SKU # 98011536

REVISIONS			
REV		DATE	APPROVED



Electrical Specifications

- *LTE LBC Frequency Range [MHz] : 704 to 746
- *Passband Insertion loss [dB] : 4.5 (Max.), 4.3 (Typ.)
- *LTE UC Frequency Range [MHz] : 746 to 787
- *Passband Insertion loss [dB] : 4.5 (Max.), 4.3 (Typ.)
- *PS8NEPS Frequency Range [MHz] : 806 to 861
- *Passband Insertion loss [dB] : 4.0 (Max.), 3.5 (Typ.)
- *CELLAB Frequency Range [MHz] : 824 to 894
- *Passband Insertion loss [dB] : 4.5 (Max.), 4.0 (Typ.)
- *PCS Full Frequency Range [MHz] : 1850-1990
- *Passband Insertion loss [dB] : 1.0 (Max.), 0.8 (Typ.)
- *Isolation between Passbands [dB] : 40 (Min.), 45 (Typ.)
- *Power CW : 20 Watt
- *Input/Output Impedance : 50 ohm
- *VSWR IN/OUT : <1.4:1
- *FINAL FINISH: FLAT BLACK

OPERATING TEMPERATURE RANGE: -20°C TO +50°C

DIMENSIONS ARE IN INCHES TOLERANCES ARE		CONTRACT NO:		G-Wave, Inc.					
ANGLES ± 1°	DECIMALS XX ± .01 XXX ± .003	APPROVALS	DATE					TITLE Combiner LTE/LBC/UC/PS8NEPS/CELLAB/PCS	
TREATMENT	FINISH 63 ✓	DRAWN Sivak	02/14	RMP-LTE/LBC/UC/PS8NEPS/CELLAB/PCS-SK-A2		SIZE	CAGE CODE	DWG NO:	REV.
MATERIAL		CHECKED	DESIGN ACTIVITY	A	RMP-LTE/LBC/UC/PS8NEPS/CELLAB/PCS-SK-A2-1				0
				SCALE None			SHEET 1 OF 1		