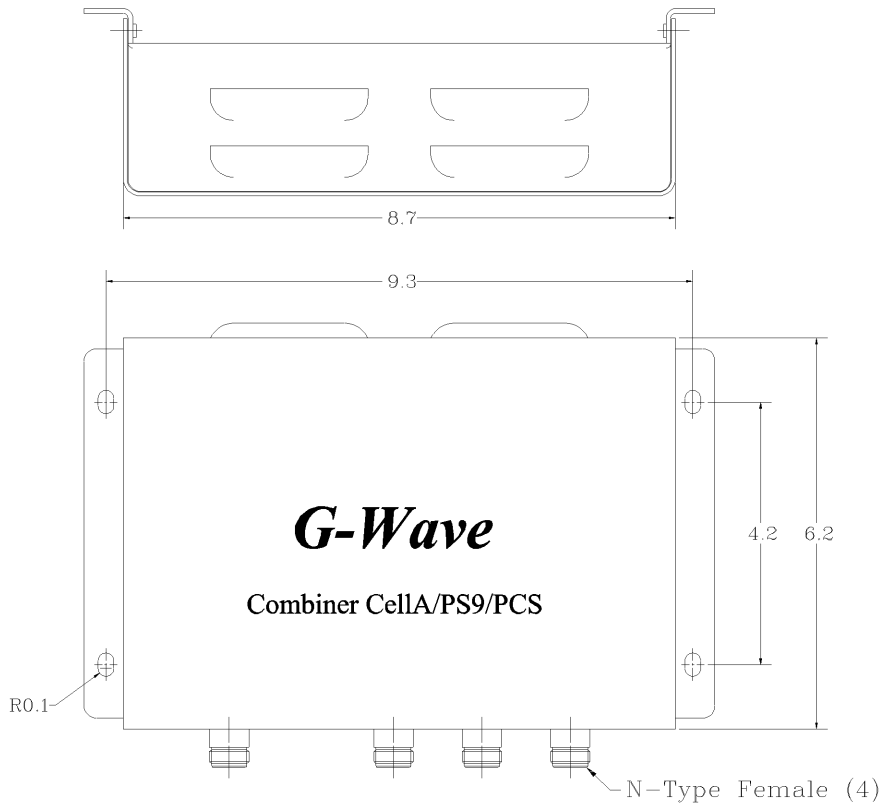
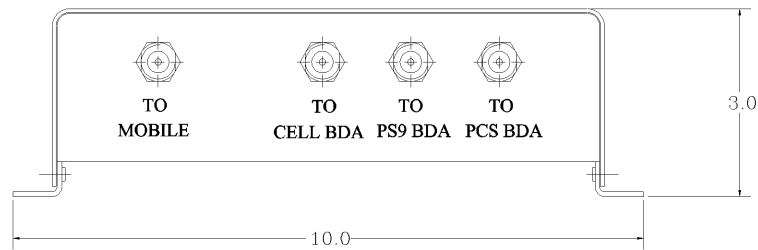
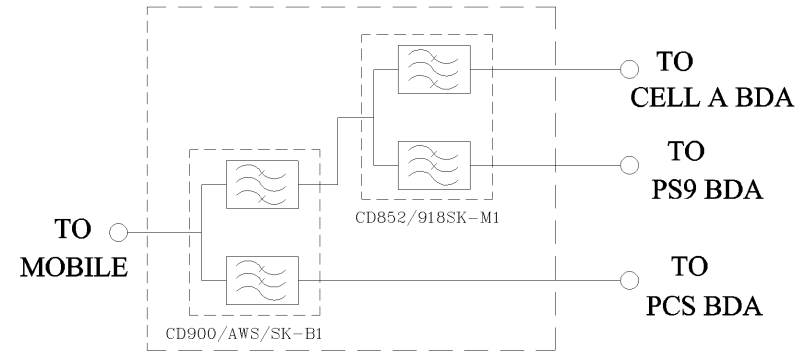


REVISIONS			
REV		DATE	APPROVED



G-Wave
Combiner CellA/PS9/PCS



Electrical Specifications

- *Cell A Frequency Range [MHz] : 824-880
- *Passband Insertion Loss [dB] : 0.8 (Max.), 0.7 (Typ.)
- *Passband Ripple [dB] : <0.4 P-T-P
- *PS9 Frequency Range [MHz] : 896-941
- *Passband Insertion Loss [dB] : 0.7 (Max.), 0.5 (Typ.)
- *Passband Ripple [dB] : <0.4 P-T-P
- *PCS Frequency Range [MHz] : 1850-1990
- *Passband Insertion Loss [dB] : 0.6 (Max.), 0.4 (Typ.)
- *Passband Ripple [dB] : <0.4 P-T-P
- *Isolation Between Input Ports [dB] : 30 (Min.), 35 (Typ.)
- *Impedance [ohm] : 50
- *VSWR IN/OUT : 1.32:1 (Max.)
- *Power Handling CW : 20 Watt
- *FINISH - Textured Epoxy Blue or Brown
- *Net Weight : 2.3 kg/5.0 lb

OPERATING TEMPERATURE RANGE: -20°C TO +55°C

PROPRIETARY DOCUMENT.
THE CONTENTS OF THIS DOCUMENT WITH ALL INFORMATION AND PROCESSES ARE THE SOLE PROPERTY OF G-Way Microwave. THIS DOCUMENT MAY NOT BE DUPLICATED OR DISCLOSED TO ANY PARTY EXCEPT BY EXPRESSLY WRITTEN PERMISSION. THE ONLY AUTHORIZED USE OF THIS DOCUMENT BY A VENDOR IS FOR QUOTE PURPOSES AND SAID VENDOR AGREES NOT TO DISCLOSE ITS CONTENTS TO ANY THIRD PARTY. THIS DOCUMENT IS COPYRIGHTED 1998.

SKU# 88021205

DIMENSIONS ARE IN INCHES TOLERANCES ARE		CONTRACT NO:		G-Wave, Inc.					
ANGLES	DECIMALS	APPROVALS	DATE					TITLE	
± 1"	.X ± .05 .XX ± .01 .XXX ± .003	DRAWN Segal	12/12	WCM-CELLA/PS9/PCS-SK-A		SIZE	CAGE CODE	DWG NO:	REV.
TREATMENT		CHECKED		A		WCM-CELLA/PS9/PCS-SK-A-1		0	
FINISH	63/	ENG.		SCALE	None			SHEET	1 OF 1
MATERIAL	AL6061-T6	DESIGN ACTIVITY							