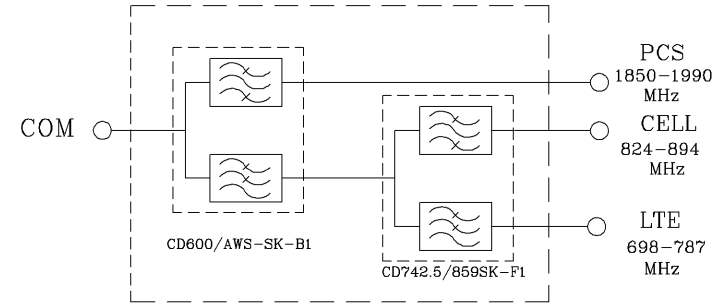
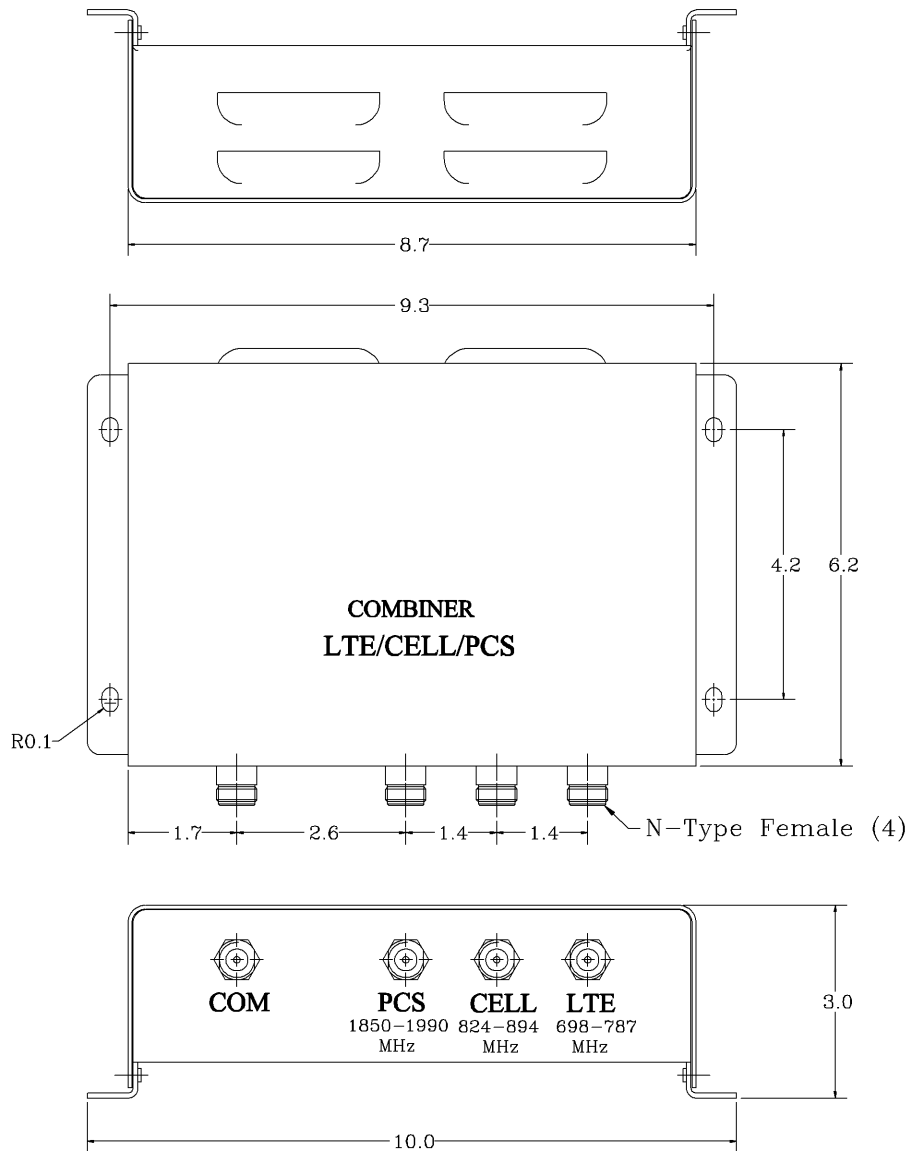


REVISIONS			
REV		DATE	APPROVED



Electrical Specifications

*LTE Frequency Range [MHz]	: 698-787
*Passband Insertion Loss [dB]	: 0.8 (Max.), 0.7 (Typ.)
*Passband Ripple [dB]	: <0.3 P-T-P
*CELL Frequency Range [MHz]	: 824-894
*Passband Insertion Loss [dB]	: 0.8 (Max.), 0.7 (Typ.)
*Passband Ripple [dB]	: <0.3 P-T-P
*PCS Frequency Range [MHz]	: 1850-1990
*Passband Insertion Loss [dB]	: 0.6 (Max.), 0.5 (Typ.)
*Passband Ripple [dB]	: <0.3 P-T-P
*Isolation Between All Filters [dB]	: 65 (Typ.)
*Impedance [Ohm]	: 50
*VSWR IN/OUT	: 1.28:1 (Max.)
*RF Power Capability CW	: 20 Watts
*FINISH: TEXTURED EPOXY BLUE	
*Net Weight	: 1.8 kg/4 lb

OPERATING TEMPERATURE RANGE: -20°C TO +50°C

PROPRIETARY DOCUMENT.
THE CONTENTS OF THIS DOCUMENT WITH ALL INFORMATION AND PROCESSES ARE THE SOLE PROPERTY OF G-Way Microwave. THIS DOCUMENT MAY NOT BE DUPLICATED OR DISCLOSED TO ANY PARTY EXCEPT BY EXPRESSLY WRITTEN PERMISSION. THE ONLY AUTHORIZED USE OF THIS DOCUMENT BY A VENDOR IS FOR QUOTE PURPOSES AND SAID VENDOR AGREES NOT TO DISCLOSE ITS CONTENTS TO ANY THIRD PARTY. THIS DOCUMENT IS COPYRIGHTED 1998.

SKU # 98021031

DIMENSIONS ARE IN INCHES TOLERANCES ARE		CONTRACT NO:		G-Wave, Inc.					
ANGLES ± 1°	DECIMALS X ± .05 .XX ± .01 .XXX ± .005	APPROVALS	DATE					TITLE Combiner LTE/CELL/PCS	
TREATMENT	FINISH 63/	DRAWN Segal	08/12	WCM-LTE/CELL/PCS-SK-A		SIZE	CAGE CODE	DWG NO:	REV.
MATERIAL AL6061-T6		CHECKED		A		WCM-LTE/CELL/PCS-SK-A-1			0
		DESIGN ACTIVITY		SCALE None				SHEET 1	OF 1