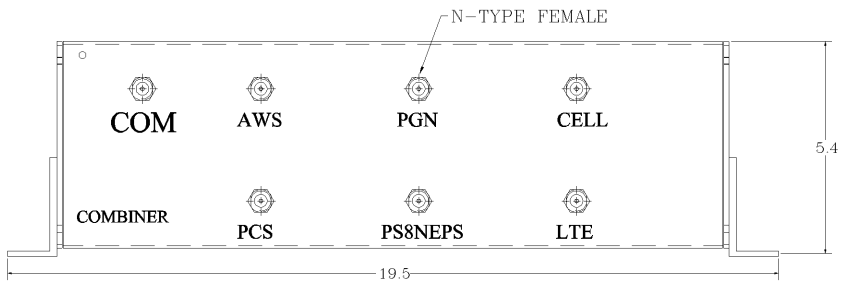
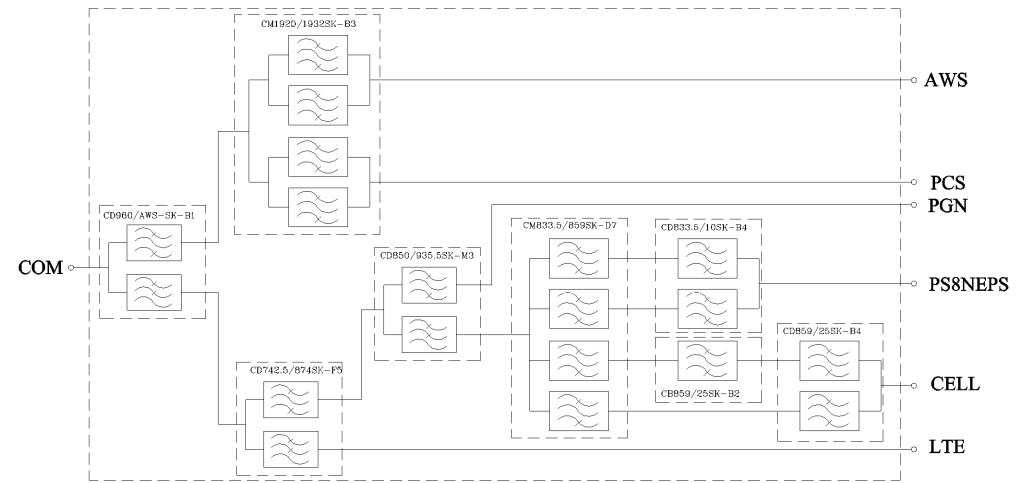


G-Wave



REVISIONS			
REV		DATE	APPROVED



Electrical Specifications

- *LTE Pass Band Frequency Range [MHz] : 698 to 787
- *Pass Band Insertion Loss [dB] : < 0.7, 0.65 (Typ.)
- *PS8 (Rebanded) Pass Band Frequency Range [MHz] : 806- 816 / 851-861
- *Pass Band Insertion Loss [dB] : < 0.7, 0.65 (Typ.)
- *CELL Pass Band Frequency Range [MHz] : 824-849 / 869-894
- *Pass Band Insertion Loss [dB] : < 0.8, 0.7 (Typ.)
- *PGN Pass Band Frequency Range [MHz] : 929-942
- *Pass Band Insertion Loss [dB] : < 0.8, 0.7 (Typ.)
- *PCS Pass Band Frequency Range [MHz] : 1850-1910 / 1930-1990
- *Pass Band Insertion Loss [dB] : < 1.1, 1.0 (Typ.)
- *AWS Pass Band Frequency Range [MHz] : 1710-1755 / 2110-2155
- *Pass Band Insertion Loss [dB] : < 1.1, 1.0 (Typ.)
- *Pass Band Ripple [dB] : < 0.5 P-T-P
- *Isolation between Bands [dB] : 30 (Min.), 35 (Typ.)
- *Input/Output Impedance : 50 ohm
- *Pass Band Return Loss [dB] : -16 (Typ), <1.38:1
- *RF Power Capability CW All Ports : 20 Watts
- *Input/Output @ DC Ground Potential
- *FINISH - Textured EPOXY BLACK
- *Net Weight : 6.7 kg/14.9 lb

OPERATING TEMPERATURE RANGE: -20°C TO +50°C

PROPRIETARY DOCUMENT.
THE CONTENTS OF THIS DOCUMENT WITH ALL INFORMATION AND PROCESSES ARE THE SOLE PROPERTY OF G-Way Microwave. THIS DOCUMENT MAY NOT BE DUPLICATED OR DISCLOSED TO ANY PARTY EXCEPT BY EXPRESSLY WRITTEN PERMISSION. THE ONLY AUTHORIZED USE OF THIS DOCUMENT BY A VENDOR IS FOR QUOTE PURPOSES AND SAID VENDOR AGREES NOT TO DISCLOSE ITS CONTENTS TO ANY THIRD PARTY. THIS DOCUMENT IS COPYRIGHTED 1998.

SKU # 88101511

DIMENSIONS ARE IN INCHES TOLERANCES ARE		CONTRACT NO:		G-Wave, Inc.					
ANGLES	DECIMALS	APPROVALS	DATE					TITLE Combiner LTE/PS8/CELL/PGN/PCS/AWS	
± 1"	.XX ± .05 .XX ± .01 .XXX ± .003	DRAWN Sivak	01/14	WCM-LTE/PS8/CELL/PGN/PCS/AWS-A		SIZE	CAGE CODE	DWG NO:	REV.
TREATMENT		CHECKED		A		WCM-LTE/PS8/CELL/PGN/PCS/AWS-A-1			0
FINISH	63	ENG.		SCALE	None				SHEET 1 OF 1
MATERIAL	AL6061-T6	DESIGN ACTIVITY							