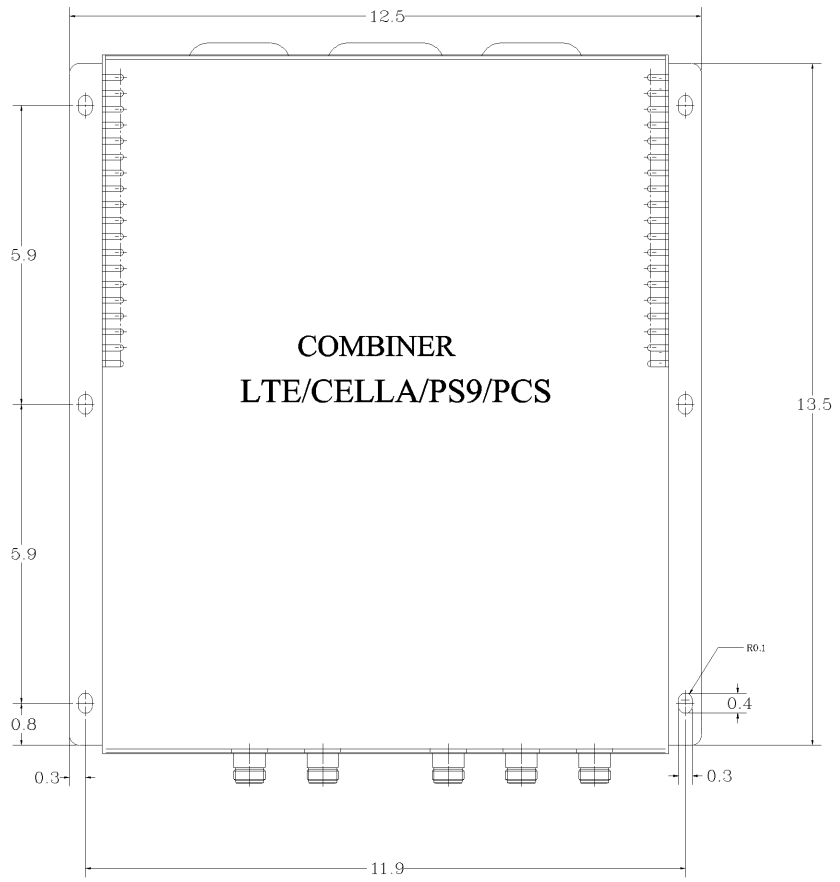
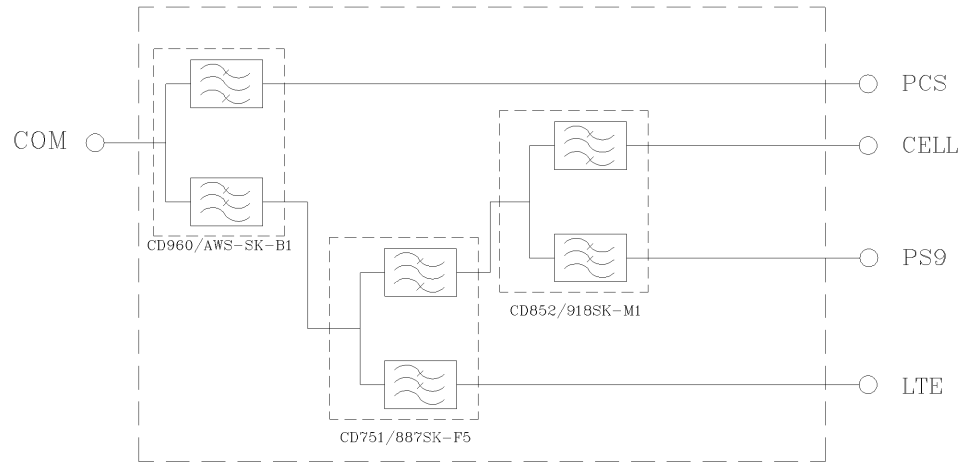
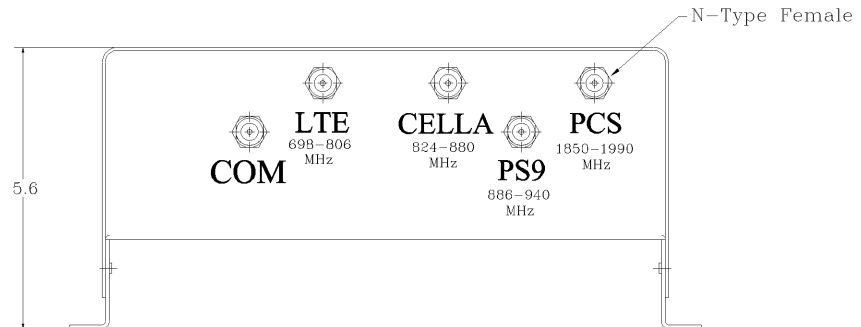


REVISIONS			
REV		DATE	APPROVED



**COMBINER
LTE/CELLA/PS9/PCS**



Electrical Specifications

- *LTE Frequency Range [MHz] : 698-806
- *Passband Insertion Loss [dB] : 1.6 (Max.), 1.2 (Typ.)
- *Passband Ripple [dB] : <0.3 P-T-P
- *CELL A Frequency Range [MHz] : 824-880
- *Passband Insertion Loss [dB] : 1.4 (Max.), 1.2 (Typ.)
- *Passband Ripple [dB] : <0.3 P-T-P
- *PS9 Frequency Range [MHz] : 886-940
- *Passband Insertion Loss [dB] : 1.4 (Max.), 1.2 (Typ.)
- *Passband Ripple [dB] : <0.3 P-T-P
- *PCS Frequency Range [MHz] : 1850-1990
- *Passband Insertion Loss [dB] : 0.8 (Max.), 0.6 (Typ.)
- *Passband Ripple [dB] : <0.3 P-T-P
- *Isolation Between All Filters [dB] : 35 (Min.)
- *Impedance [Ohm] : 50
- *VSWR IN/OUT : 1.28:1 (Max.)
- *RF Power Capability CW : 20 Watts
- *FINISH: FLAT EPOXY BLACK
- *Net Weight : 2.8 kg/6.3 lb

OPERATING TEMPERATURE RANGE: -20°C TO +50°C

PROPRIETARY DOCUMENT.
THE CONTENTS OF THIS DOCUMENT WITH ALL INFORMATION AND PROCESSES ARE THE SOLE PROPERTY OF G-Way Microwave. THIS DOCUMENT MAY NOT BE DUPLICATED OR DISCLOSED TO ANY PARTY EXCEPT BY EXPRESSLY WRITTEN PERMISSION. THE ONLY AUTHORIZED USE OF THIS DOCUMENT BY A VENDOR IS FOR QUOTE PURPOSES AND SAID VENDOR AGREES NOT TO DISCLOSE ITS CONTENTS TO ANY THIRD PARTY. THIS DOCUMENT IS COPYRIGHTED 1998.

SKU # 88101512

DIMENSIONS ARE IN INCHES TOLERANCES ARE		CONTRACT NO:		G-Wave, Inc.	
ANGLES	DECIMALS	APPROVALS	DATE		
± 1°	.X ± .05 .XX ± .01 .XXX ± .003	DRAWN Segal	03/14	WCM-LTE/PS9/CELLA/PCS-SK-A2	
TREATMENT		CHECKED		SIZE	DWG NO:
FINISH	63	ENG.		A	WCM-LTE/PS9/CELLA/PCS-SK-A2-1
MATERIAL	AL6061-T6	DESIGN ACTIVITY		SCALE	None
				SHEET	1 OF 1