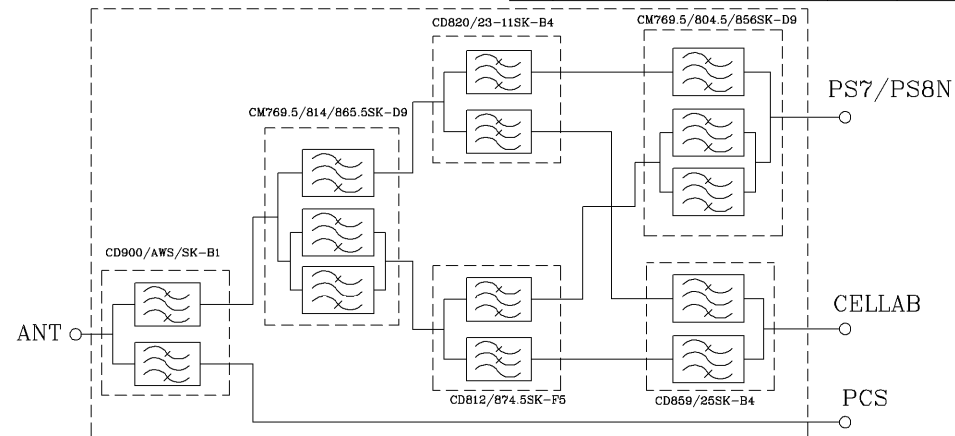


REVISIONS			
REV	DATE	APPROVED	



Electrical Specifications

PS7/PS8N Path

- *Downlink Pass Band Frequency Range [MHz] : 763 to 775
: 851 to 861
- *Pass Band Insertion Loss [dB] : < 4.5 (Typ.)
- *Uplink Pass Band Frequency Range [MHz] : 793 to 816
- *Pass Band Insertion Loss [dB] : < 3.5 (Typ.)

Cell AB Path

- *Downlink Pass Band Frequency Range [MHz] : 869 to 894
- *Pass Band Insertion Loss [dB] : < 3.8 (Typ.)
- *Uplink Pass Band Frequency Range [MHz] : 824 to 849
- *Pass Band Insertion Loss [dB] : < 3.8 (Typ.)

PCS Path

- *Downlink Pass Band Frequency Range [MHz] : 1930 to 1990
- *Pass Band Insertion Loss [dB] : < 0.8 (Typ.)
- *Uplink Pass Band Frequency Range [MHz] : 1850 to 1910
- *Pass Band Insertion Loss [dB] : < 0.8 (Typ.)
- *Pass Band Ripple [dB] : < 0.5 P-T-P
- *Isolation between Bands [dB] : 40 (Min.), 45 (Typ.)
- *Input/Output Impedance : 50 ohm
- *Pass Band Return Loss [dB] : -18 (Typ), < 1.28:1
- *RF Power Capability CW All Ports : 20 Watts
- *Input/Output @ DC Ground Potential
- *FINISH - Textured EPOXY BLUE OR BROWN
- *Net Weight : 8.3 kg/18.4 lb

OPERATING TEMPERATURE RANGE: -20°C TO +50°C

PROPRIETARY DOCUMENT:
THE CONTENTS OF THIS DOCUMENT WITH ALL INFORMATION AND PROCESSES ARE THE SOLE PROPERTY OF G-Way Microwave. THIS DOCUMENT MAY NOT BE DUPLICATED OR DISCLOSED TO ANY PARTY EXCEPT BY EXPRESSLY WRITTEN PERMISSION. THE ONLY AUTHORIZED USE OF THIS DOCUMENT BY A VENDOR IS FOR QUOTE PURPOSES AND SAID VENDOR AGREES NOT TO DISCLOSE ITS CONTENTS TO ANY THIRD PARTY. THIS DOCUMENT IS COPYRIGHTED 1998.

SKU # 88021137

DIMENSIONS ARE IN INCHES TOLERANCES ARE		CONTRACT NO:		G-Wave, Inc.			
ANGLES	DECIMALS	APPROVALS	DATE				
± 1"	X ± .05 .XX ± .01 .XXX ± .003	DRAWN Sivak	09/12	WCM-PS7/PS8N/CELLAB/PCSF-SK-A			
TREATMENT	CHECKED	ENG.		SIZE	CAGE CODE	DWG NO:	REV.
FINISH 63		DESIGN ACTIVITY		A		WCM-PS7/PS8N/CELLAB/PCSF-SK-A-1	0
MATERIAL AL6061-T6				SCALE None			SHEET 1 OF 1