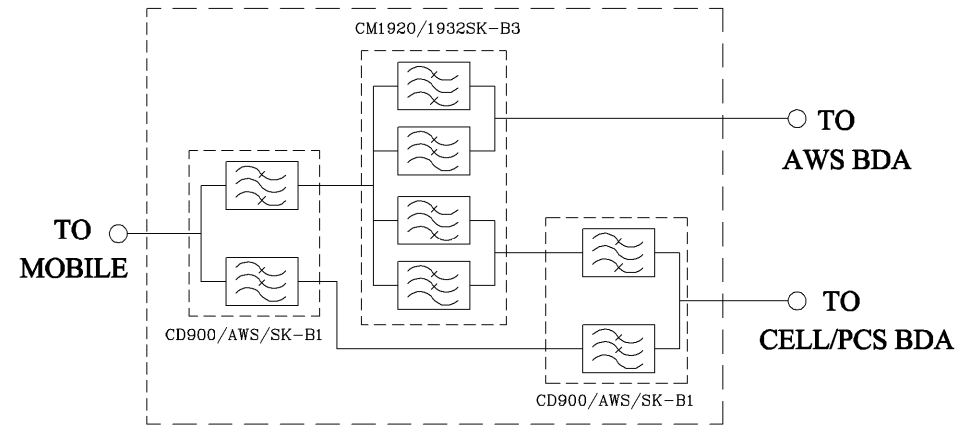
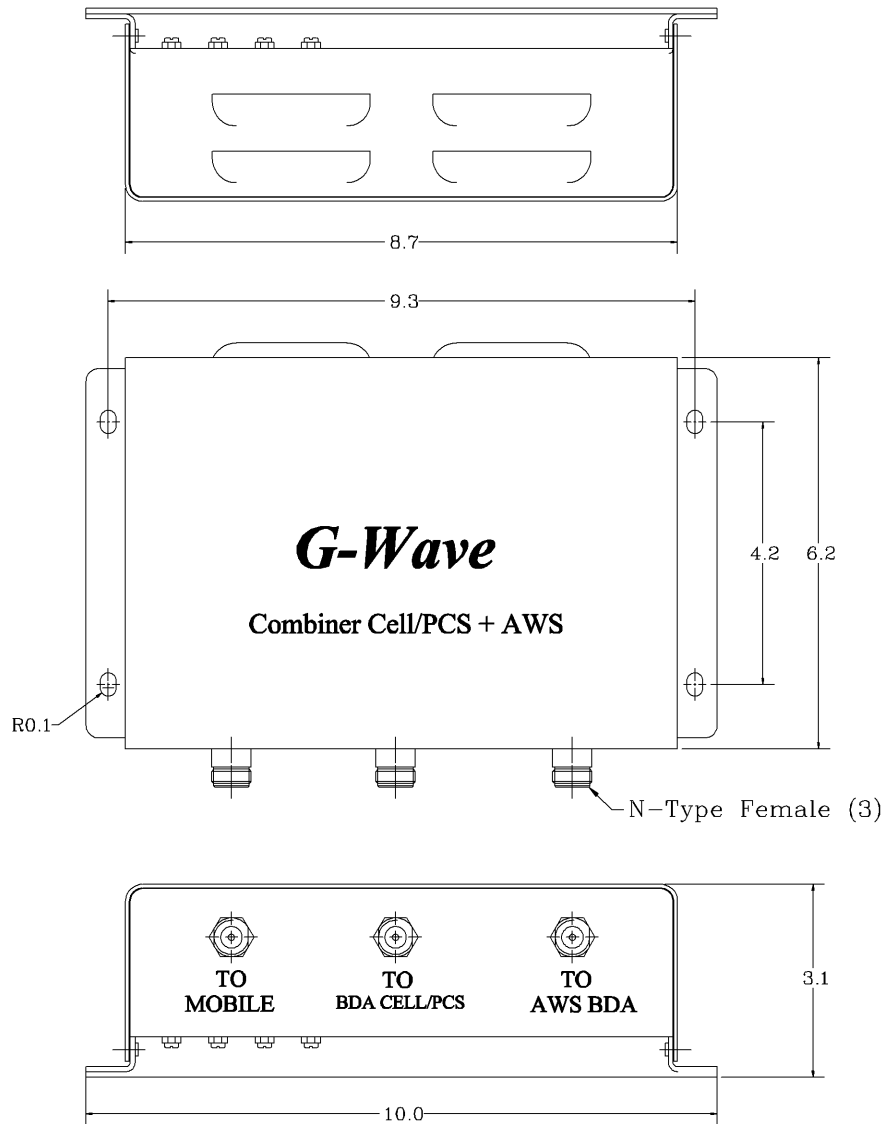


REVISIONS			
REV		DATE	APPROVED



Electrical Specifications

- *Cell Frequency Range [MHz] : 824-894
- *Passband Insertion Loss [dB] : 0.7 (Max.), 0.6 (Typ.)
- *Passband Ripple [dB] : <0.4 P-T-P
- *PCS Frequency Range [MHz] : 1850-1910 & 1930-1990
- *Passband Insertion Loss [dB] : 1.2 (Max.), 1.1 (Typ.)
- *Passband Ripple [dB] : <0.4 P-T-P
- *AWS Frequency Range [MHz] : 1710-1755 & 2110-2155
- *Passband Insertion Loss [dB] : 1.1 (Max.), 1.0 (Typ.)
- *Passband Ripple [dB] : <0.4 P-T-P
- *Isolation Between Input Ports [dB] : 70 (Min.), 85 (Typ.)
- *Impedance [Ohm] : 50
- *VSWR IN/OUT : 1.32:1 (Max.)
- *Power Handling CW : 20 Watt
- *FINISH - Textured Epoxy Blue
- *Net Weight : 2.3 kg/5.0 lb

OPERATING TEMPERATURE RANGE: -20°C TO +50°C

PROPRIETARY DOCUMENT:
 THE CONTENTS OF THIS DOCUMENT WITH ALL INFORMATION AND PROCESSES ARE THE SOLE PROPERTY OF G-Way Microwave. THIS DOCUMENT MAY NOT BE DUPLICATED OR DISCLOSED TO ANY PARTY EXCEPT BY EXPRESSLY WRITTEN PERMISSION. THE ONLY AUTHORIZED USE OF THIS DOCUMENT BY A VENDOR IS FOR QUOTE PURPOSES AND SAID VENDOR AGREES NOT TO DISCLOSE ITS CONTENTS TO ANY THIRD PARTY. THIS DOCUMENT IS COPYRIGHTED 1998.

SKU # 98021027

DIMENSIONS ARE IN INCHES		CONTRACT NO:		G-Wave, Inc.					
TOLEANCES ARE		APPROVALS						DATE	
ANGLES	DECIMALS	DRAWN Segal		04/11		TITLE Combiner CELL/PCS+AWS			
± 1"	X ± .05 XX ± .01 XXX ± .005	CHECKED				WMP-CELL/PCS/AWS-SK-A2			
TREATMENT		ENG.				SIZE	CAGE CODE	DWG NO:	REV.
FINISH	63/	DESIGN ACTIVITY				A		WMP-CELL/PCS/AWS-SK-A2-1	0
MATERIAL	AL6061-T6					SCALE	None		SHEET 1 OF 1