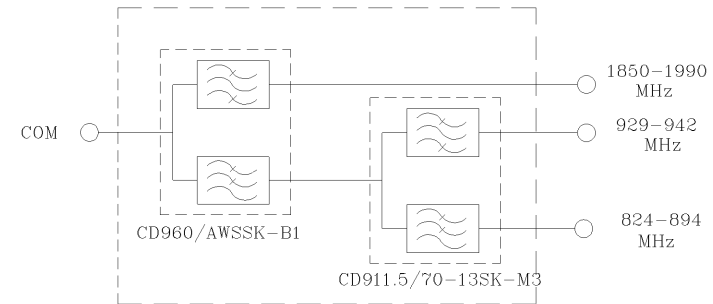
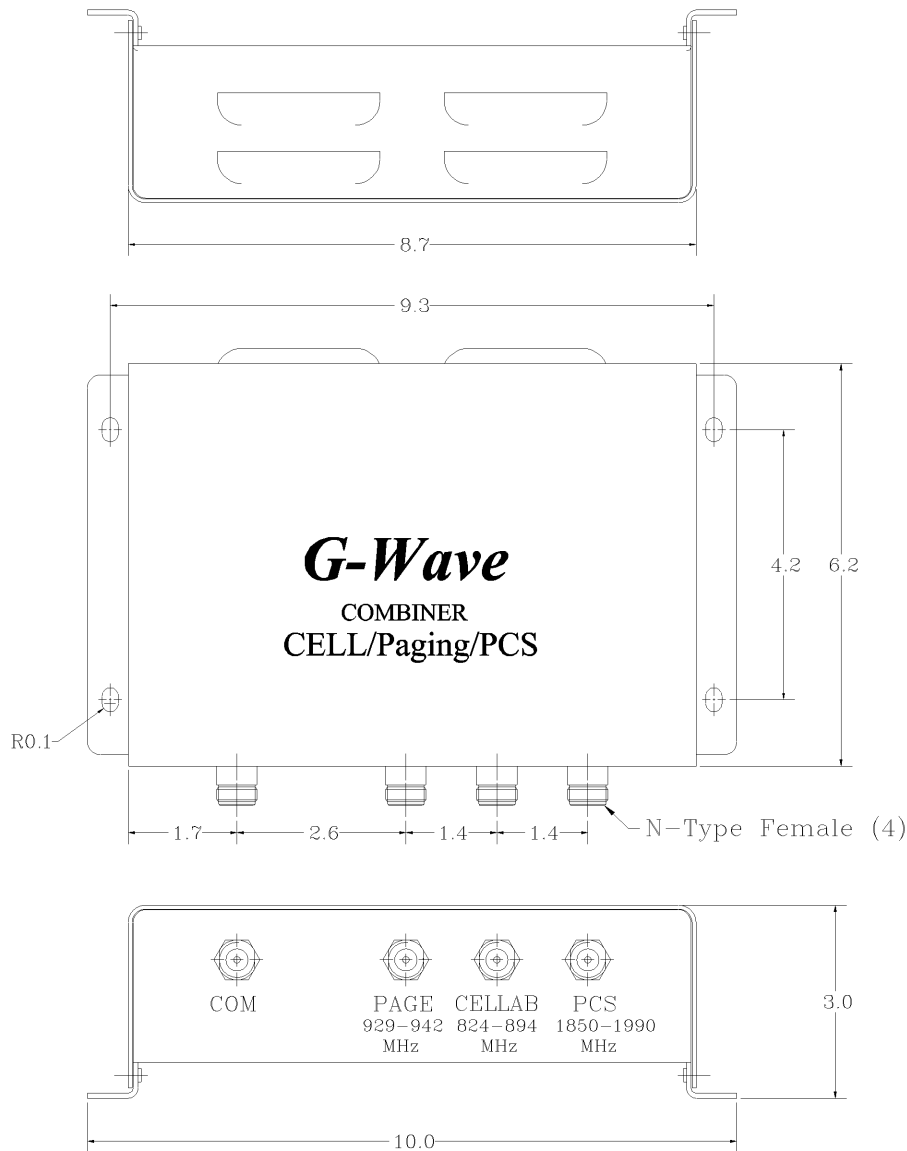


REVISIONS			
REV		DATE	APPROVED



### Electrical Specifications

- \*CELLAB Frequency Range [MHz] : 824-894
- \*Passband Insertion Loss [dB] : 1.0 (Max.)
- \*Passband Ripple [dB] : <0.3 P-T-P
- \*Paging Frequency Range [MHz] : 929-942
- \*Passband Insertion Loss [dB] : 1.0 (Max.), 0.9 (Typ.)
- \*Passband Ripple [dB] : <0.3 P-T-P
- \*High Frequency Range [MHz] : 1850-1990
- \*Passband Insertion Loss [dB] : 0.8 (Max.), 0.7 (Typ.)
- \*Passband Ripple [dB] : <0.3 P-T-P
- \*Isolation Between All Filters [dB] : 50 (Min.), 60 (Typ.)
- \*Impedance [Ohm] : 50
- \*VSWR IN/OUT : 1.28:1 (Max.)
- \*RF Power Capability CW : 20 Watt
- \*FINISH - Textured Epoxy Blue
- \*Net Weight : 1.8 kg/4 lb

OPERATING TEMPERATURE RANGE: -20°C TO +50°C

PROPRIETARY DOCUMENT:  
 THE CONTENTS OF THIS DOCUMENT WITH ALL INFORMATION AND PROCESSES ARE THE SOLE PROPERTY OF G-Way Microwave. THIS DOCUMENT MAY NOT BE DUPLICATED OR DISCLOSED TO ANY PARTY EXCEPT BY EXPRESSLY WRITTEN PERMISSION. THE ONLY AUTHORIZED USE OF THIS DOCUMENT BY A VENDOR IS FOR QUOTE PURPOSES AND SAID VENDOR AGREES NOT TO DISCLOSE ITS CONTENTS TO ANY THIRD PARTY. THIS DOCUMENT IS COPYRIGHTED 1998.

SKU # 88021202

DIMENSIONS ARE IN INCHES: TOLERANCES ARE		CONTRACT NO:		<b>G-Wave, Inc.</b>			
ANGLES	DECIMALS	APPROVALS	DATE				
± 1°	.XX ± .05 .XX ± .01 .XXX ± .003	DRAWN Segal	06/09	WMP-CELLAB/929-942/PCS-SK-A2		REV.	
TREATMENT		CHECKED		SIZE	CAGE CODE	DWG NO:	
FINISH	63/	ENG.		A		WMP-CELLAB/929-942/PCS-SK-A2-1	A
MATERIAL	AL6061-T6	DESIGN ACTIVITY		SCALE	None		SHEET 1 OF 1