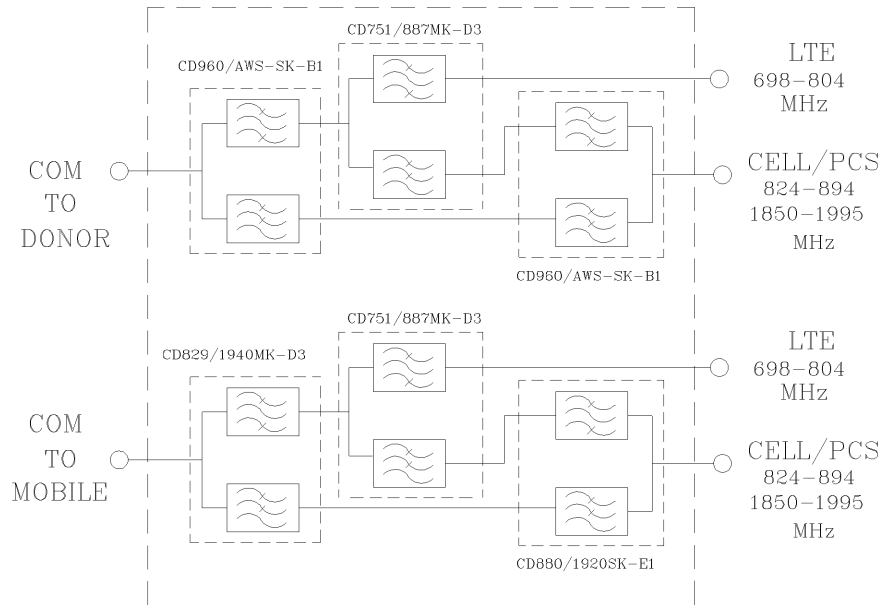
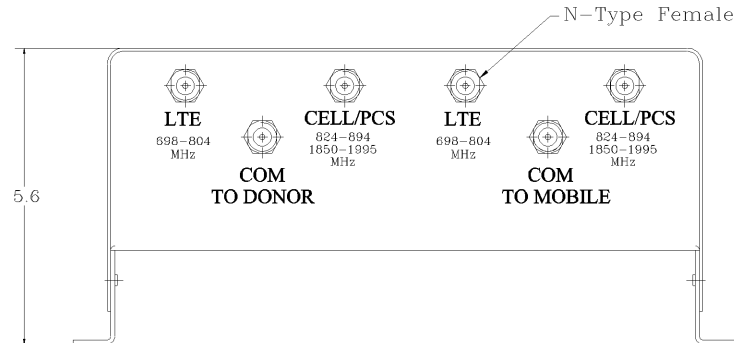
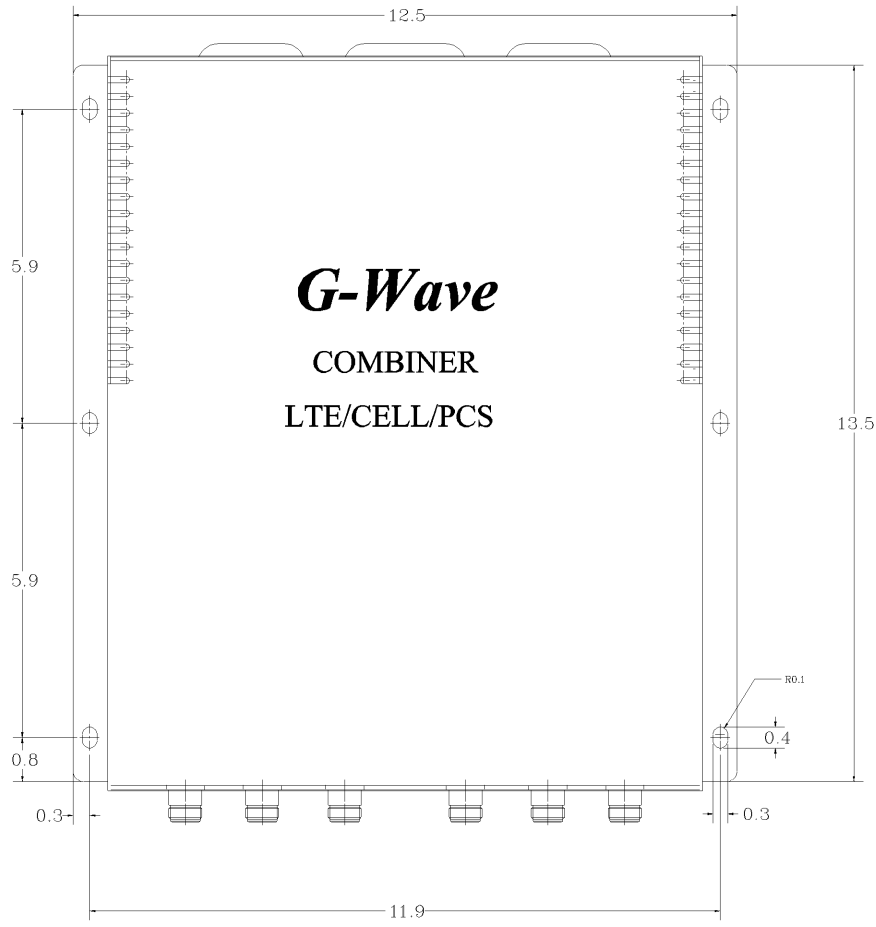


REVISIONS			
REV		DATE	APPROVED



Electrical Specifications

- *LTE Frequency Range [MHz] : 698-804
- *Passband Insertion Loss [dB] : 0.9 (Max.), 0.8 (Typ.)
- *Passband Ripple [dB] : <0.4 P-T-P
- *CELL Frequency Range [MHz] : 824-894
- *Passband Insertion Loss [dB] : 1.0 (Max.), 0.8 (Typ.)
- *Passband Ripple [dB] : <0.4 P-T-P
- *PCS Frequency Range [MHz] : 1850-1995
- *Passband Insertion Loss [dB] : 0.7 (Max.), 0.5 (Typ.)
- *Passband Ripple [dB] : <0.4 P-T-P
- *Isolation Between All Filters [dB] : 50 (Min.), 55 (Typ.)
- *Impedance [Ohm] : 50
- *VSWR IN/OUT : 1.32:1 (Max.)
- *IM Products @ 2 x +43dBm, IM3 [dBc] : -120 Typ.
- *Power Handling CW : 20 Watt
- *FINISH: TEXTURED EPOXY BLUE OR BROWN
- *Net Weight : 9.0 kg/20 lb

OPERATING TEMPERATURE RANGE: -20°C TO +50°C

PROPRIETARY DOCUMENT.
 THE CONTENTS OF THIS DOCUMENT WITH ALL INFORMATION AND PROCESSES ARE THE SOLE PROPERTY OF G-Way Microwave. THIS DOCUMENT MAY NOT BE DUPLICATED OR DISCLOSED TO ANY PARTY EXCEPT BY EXPRESSLY WRITTEN PERMISSION. THE ONLY AUTHORIZED USE OF THIS DOCUMENT BY A VENDOR IS FOR QUOTE PURPOSES AND SAID VENDOR AGREES NOT TO DISCLOSE ITS CONTENTS TO ANY THIRD PARTY. THIS DOCUMENT IS COPYRIGHTED 1998.

SKU # 82001279

DIMENSIONS ARE IN INCHES		CONTRACT NO:		G-Wave, Inc.			
TOLEANCES ARE		APPROVALS					
ANGLES	DECIMALS	DRAWN Sivak		09/13		TITLE Combiner LTE/CELL/PCS	
± 1"	.X ± .05 .XX ± .01 .XXX ± .003	CHECKED				WMP-LTE/CELL/PCS-SK-A3	
TREATMENT		ENG.				SIZE	CAGE CODE
FINISH	63/	DESIGN ACTIVITY				DWG NO:	REV.
MATERIAL	AL6061-T6					A	WMP-LTE/CELL/PCS-SK-A3
				SCALE		None	SHEET 1 OF 1