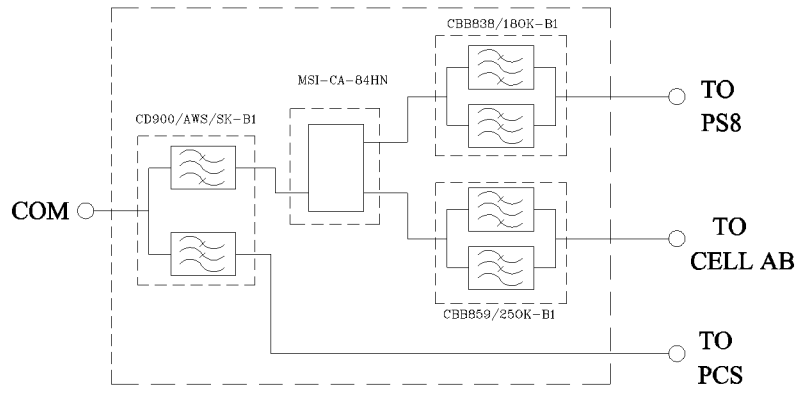
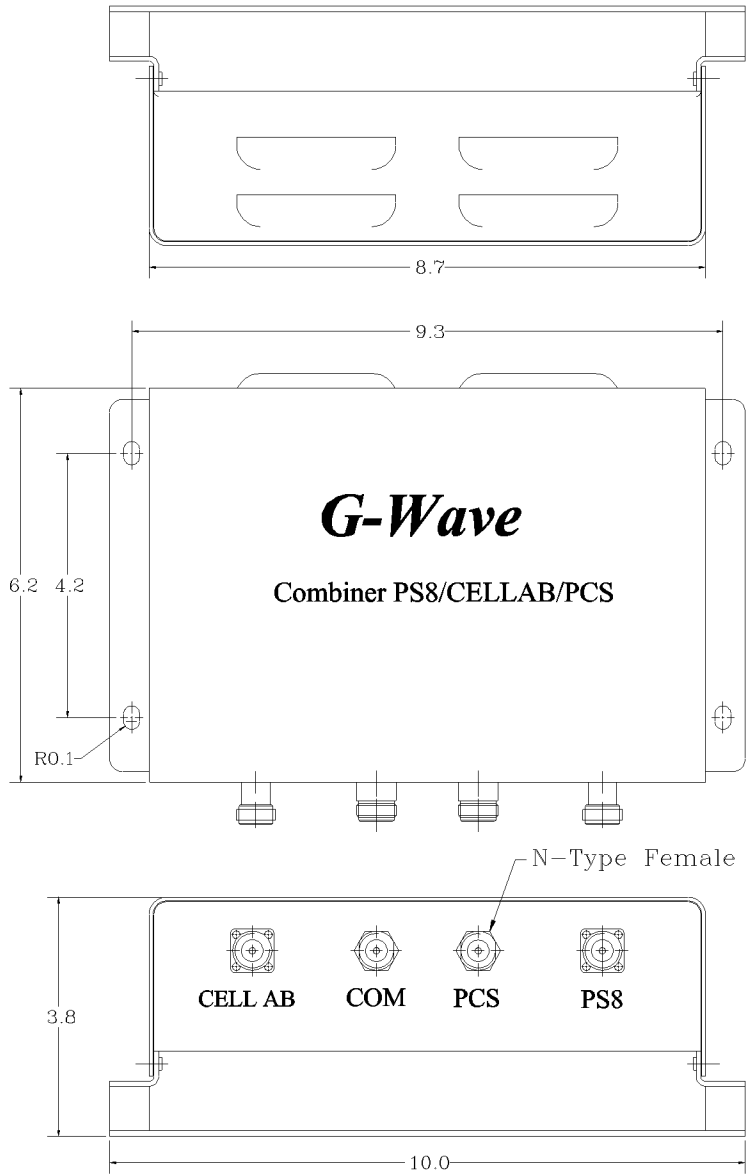


REVISIONS			
REV		DATE	APPROVED



Electrical Specifications

- *PS8 UL Frequency Range [MHz] : 806-824
- *Passband Insertion Loss [dB] : 3.8 (Max.), 3.6 (Typ.)
- *PS8 DL Frequency Range [MHz] : 851-869
- *Passband Insertion Loss [dB] : 4.0 (Max.), 3.8 (Typ.)
- *PS8 DL Rejection @ 849 MHz [dBc] : 30 (Typ.)
- *CELL AB UL Frequency Range [MHz] : 824-849
- *Passband Insertion Loss [dB] : 3.8 (Max.), 3.6 (Typ.)
- *CELL AB UL Rejection @ 851 MHz [dBc] : 30 (Typ.)
- *CELL AB DL Frequency Range [MHz] : 869-894
- *Passband Insertion Loss [dB] : 3.4 (Max.), 3.2 (Typ.)
- *PCS UL Frequency Range [MHz] : 1850-1910
- *Passband Ripple [dB] : <0.5 P-T-P
- *PCS DL Frequency Range [MHz] : 1930-1990
- *Passband Insertion Loss [dB] : 0.8 (Max.), 0.7 (Typ.)
- *Passband Ripple [dB] : <0.5 P-T-P
- *Isolation Between All Filters [dB] : 40 (Min.), 50 (Typ.)
- *Impedance [Ohm] : 50
- *VSWR IN/OUT : 1.32:1 (Max.)
- *Power Handling CW : 5 Watt
- *FINISH: TEXTURED EPOXY BLUE
- *Net Weight : 2.1 kg/4.7 lb

OPERATING TEMPERATURE RANGE: -20°C TO +50°C

PROPRIETARY DOCUMENT.
 THE CONTENTS OF THIS DOCUMENT WITH ALL INFORMATION AND PROCESSES ARE THE SOLE PROPERTY OF G-Wave Microwave. THIS DOCUMENT MAY NOT BE DUPLICATED OR DISCLOSED TO ANY PARTY EXCEPT BY EXPRESSLY WRITTEN PERMISSION. THE ONLY AUTHORIZED USE OF THIS DOCUMENT BY A VENDOR IS FOR QUOTE PURPOSES AND SAID VENDOR AGREES NOT TO DISCLOSE ITS CONTENTS TO ANY THIRD PARTY. THIS DOCUMENT IS COPYRIGHTED 1998.

SKU # 88701157

DIMENSIONS ARE IN INCHES. TOLERANCES ARE:		CONTRACT NO:		G-Wave, Inc.					
ANGLES	DECIMALS	APPROVALS	DATE					TITLE Economy Combiner PS8/CELLAB/PCS	
± 1°	.X ± .05 .XX ± .01 .XXX ± .003	DRAWN Sivak	07/13	WMP-PS8/CELLAB/PCS-OK-A2		SIZE	CAGE CODE	DWG NO:	REV.
TREATMENT		CHECKED		A				WMP-PS8/CELLAB/PCS-OK-A2-1	0
FINISH	63 ✓	ENG.		SCALE	None				SHEET 1 OF 1
MATERIAL	AL6061-T6	DESIGN ACTIVITY							