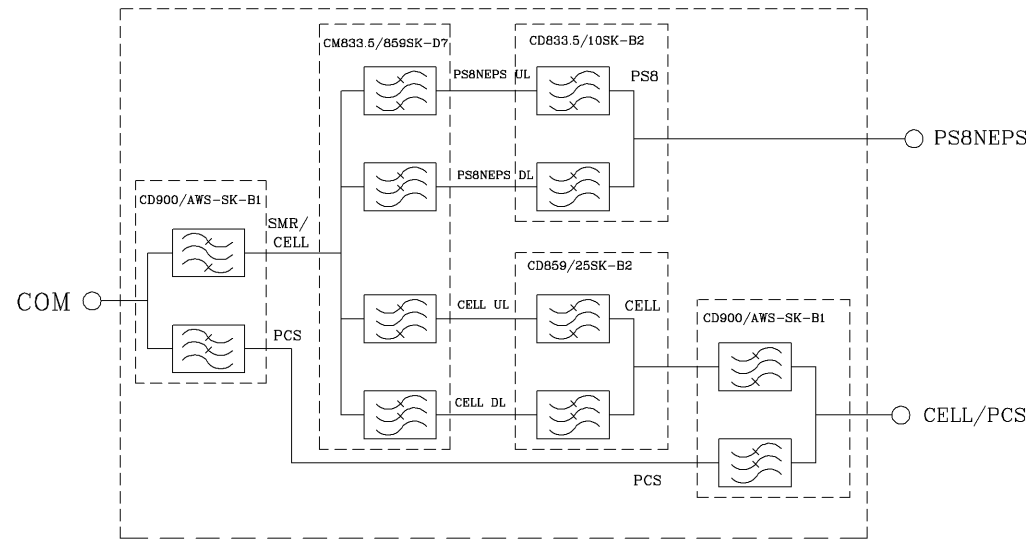
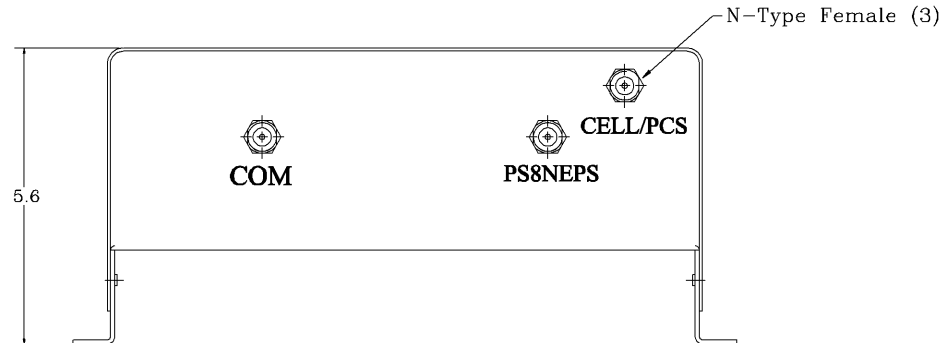
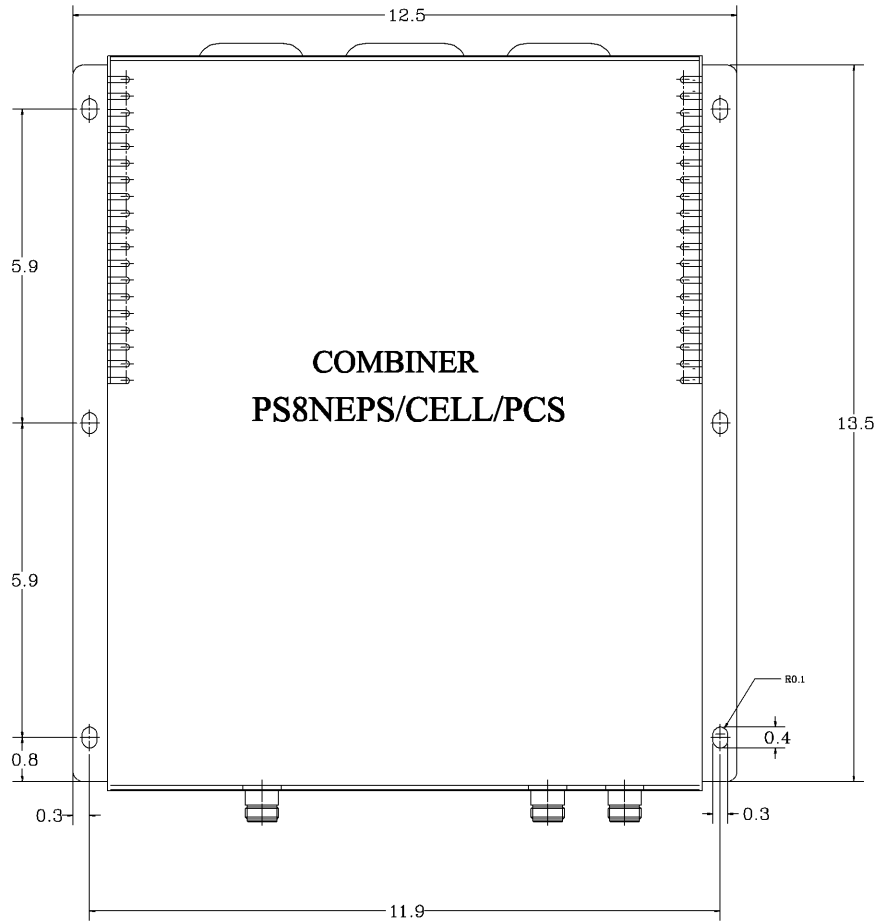


REVISIONS			
REV		DATE	APPROVED



*Electrical Specifications*

- \*PS8NEPS UL Frequency Range [MHz] : 806-816
- \*PS8NEPS DL Frequency Range [MHz] : 851-861
- \*Passband Insertion Loss [dB] : 3.3 (Max.), 3.0 (Typ.)
- \*Passband Ripple [dB] : <0.5 P-T-P
  
- \*CELLAB UL Frequency Range [MHz] : 824-849
- \*CELLAB DL Frequency Range [MHz] : 869-894
- \*Passband Insertion Loss [dB] : 3.3 (Max.), 3.0 (Typ.)
- \*Passband Ripple [dB] : <0.5 P-T-P
  
- \*PCS UL Frequency Range [MHz] : 1850-1910
- \*PCS DL Frequency Range [MHz] : 1930-1990
- \*Passband Insertion Loss [dB] : 1.3 (Max.), 1.2 (Typ.)
- \*Passband Ripple [dB] : <0.5 P-T-P
  
- \*Isolation Between All Filters [dB] : 40 (Min.), 50 (Typ.)
- \*Impedance [Ohm] : 50
- \*VSWR IN/OUT : 1.32:1 (Max.)
- \*Power Handling CW : 20 Watt
- \*FINISH: TEXTURED EPOXY BLUE OR BROWN
- \*Net Weight : 5.7 kg/12.6 lb

OPERATING TEMPERATURE RANGE: -20°C TO +50°C

PROPRIETARY DOCUMENT:  
 THE CONTENTS OF THIS DOCUMENT WITH ALL INFORMATION AND PROCESSES ARE THE SOLE PROPERTY OF G-Wave Microwave. THIS DOCUMENT MAY NOT BE DUPLICATED OR DISCLOSED TO ANY PARTY EXCEPT BY EXPRESSLY WRITTEN PERMISSION. THE ONLY AUTHORIZED USE OF THIS DOCUMENT BY A VENDOR IS FOR QUOTE PURPOSES AND SAID VENDOR AGREES NOT TO DISCLOSE ITS CONTENTS TO ANY THIRD PARTY. THIS DOCUMENT IS COPYRIGHTED 1998.

**SKU # 88021122**

DIMENSIONS ARE IN INCHES		CONTRACT NO:		<b>G-Wave, Inc.</b>			
TOLEANCES ARE		APPROVALS					
ANGLES	DECIMALS	DRAWN Sivak		05/12		TITLE Combiner PS8NEPS/CELLAB/PCS	
± 1"	X ± .05 .XX ± .01 .XXX ± .005	CHECKED				WMP-PS8NEPS/CELL/PCS-SK-A1	
TREATMENT		ENG.				SIZE	CAGE CODE
FINISH	63/	DESIGN ACTIVITY				DWG NO:	REV.
MATERIAL	AL6061-T6					A	WMP-PS8NEPS/CELL/PCS-SK-A1
				SCALE		None	SHEET 1 OF 1