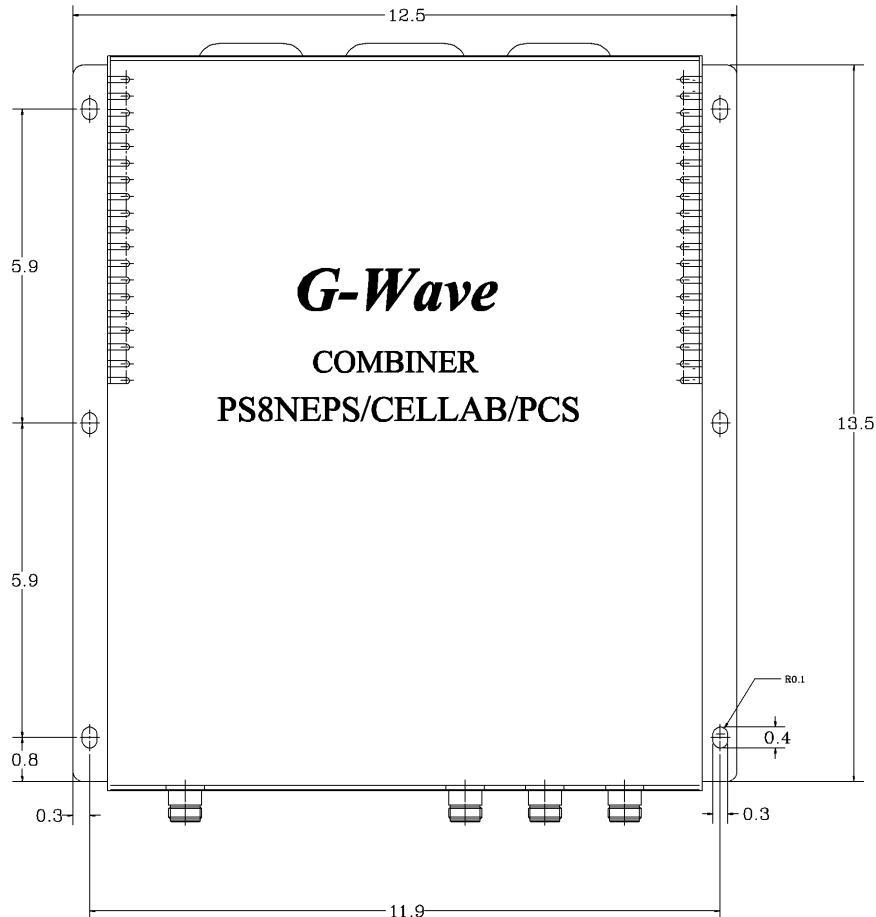
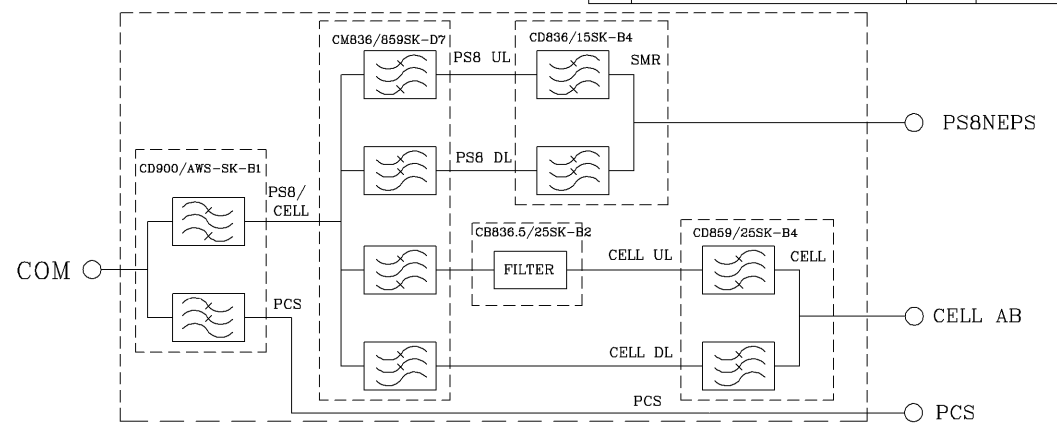


REVISIONS			
REV		DATE	APPROVED



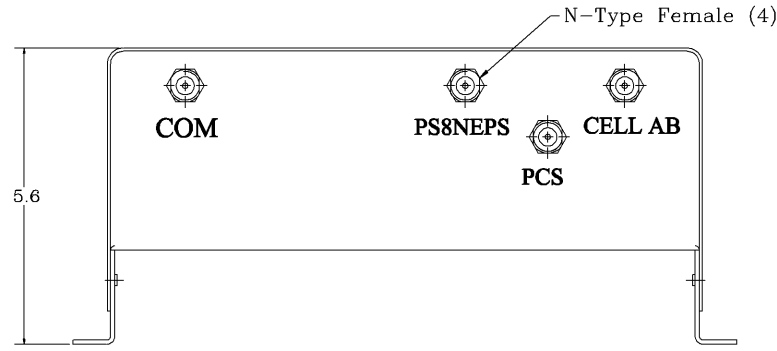
G-Wave
COMBINER
PS8NEPS/CELLAB/PCS



Electrical Specifications

- *PS8NEPS UL Frequency Range [MHz] : 806-816
- *Passband Insertion Loss [dB] : 3.3 (Max.), 3.1 (Typ.)
- *PS8NEPS DL Frequency Range [MHz] : 851-861
- *Passband Insertion Loss [dB] : 3.8 (Max.), 3.3 (Typ.)
- *PS8NEPS DL Rejection @ 849 MHz [dBc] : 30 (Typ.)
- *CELL AB UL Frequency Range [MHz] : 824-849
- *Passband Insertion Loss [dB] : 4.0 (Max.), 3.8 (Typ.)
- *CELL AB UL Rejection @ 851 MHz [dBc] : 40 (Typ.)
- *CELL AB DL Frequency Range [MHz] : 869-894
- *Passband Insertion Loss [dB] : 2.8 (Max.), 2.6 (Typ.)
- *PCS UL Frequency Range [MHz] : 1850-1910
- *Passband Ripple [dB] : <0.5 P-T-P
- *PCS DL Frequency Range [MHz] : 1930-1990
- *Passband Insertion Loss [dB] : 0.8 (Max.), 0.7 (Typ.)
- *Passband Ripple [dB] : <0.5 P-T-P
- *Isolation Between All Filters [dB] : 35 (Min.), 50 (Typ.)
- *Impedance [Ohm] : 50
- *VSWR IN/OUT : 1.32:1 (Max.)
- *Power Handling CW : 20 Watt
- *FINISH - Textured Epoxy Blue
- *Net Weight : 5.7 kg/12.6 lb

OPERATING TEMPERATURE RANGE: -20°C TO +50°C



PROPRIETARY DOCUMENT.
THE CONTENTS OF THIS DOCUMENT WITH ALL INFORMATION AND PROCESSES ARE THE SOLE PROPERTY OF G-Way Microwave. THIS DOCUMENT MAY NOT BE DUPLICATED OR DISCLOSED TO ANY PARTY EXCEPT BY EXPRESSLY WRITTEN PERMISSION. THE ONLY AUTHORIZED USE OF THIS DOCUMENT BY A VENDOR IS FOR QUOTE PURPOSES AND SAID VENDOR AGREES NOT TO DISCLOSE ITS CONTENTS TO ANY THIRD PARTY. THIS DOCUMENT IS COPYRIGHTED 1998.

SKU # 98021057

DIMENSIONS ARE IN INCHES TOLERANCES ARE:		CONTRACT NO:		G-Wave, Inc.			
ANGLES	DECIMALS	APPROVALS	DATE	TITLE Combiner PS8NEPS/CELLAB/PCS			
± 1°	.X ± .05 .XX ± .01 .XXX ± .005	DRAWN Sivak	05/12	WMP-PS8NEPS/CELLAB/PCS-SK-A2			
TREATMENT	CHECKED	ENG.	DESIGN ACTIVITY	SIZE	CAGE CODE	DWG NO:	REV.
FINISH 63				A		WMP-PS8NEPS/CELLAB/PCS-SK-A2-2	0
MATERIAL AL6061-T6				SCALE	None		SHEET 1 OF 1