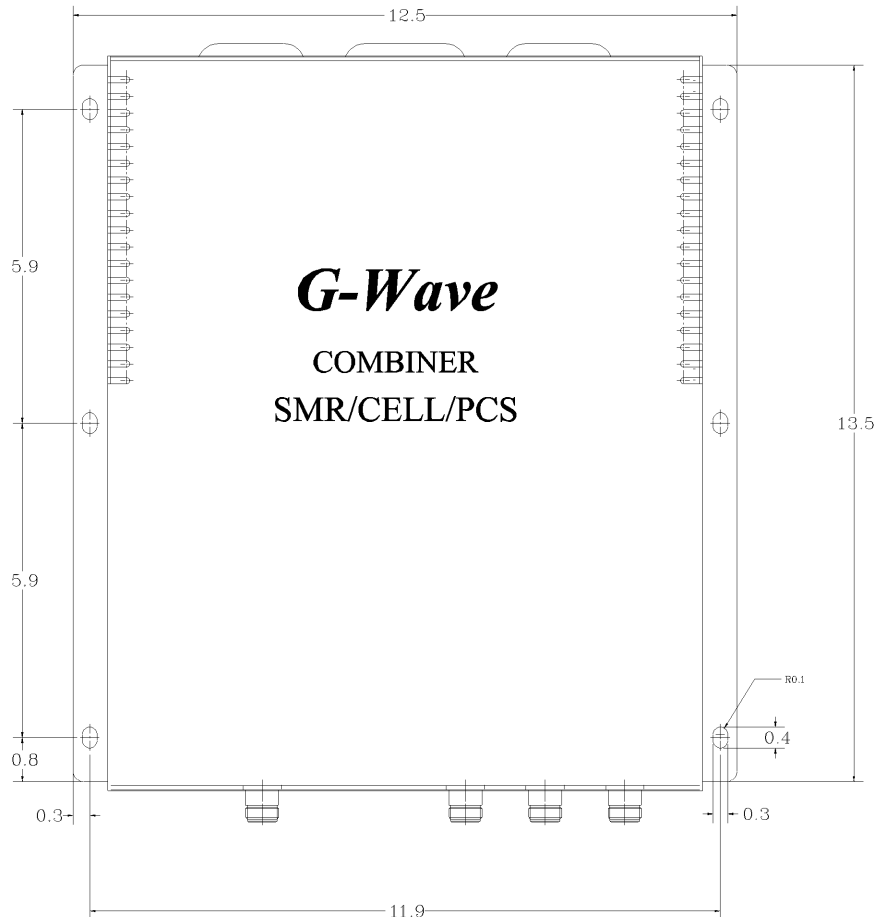
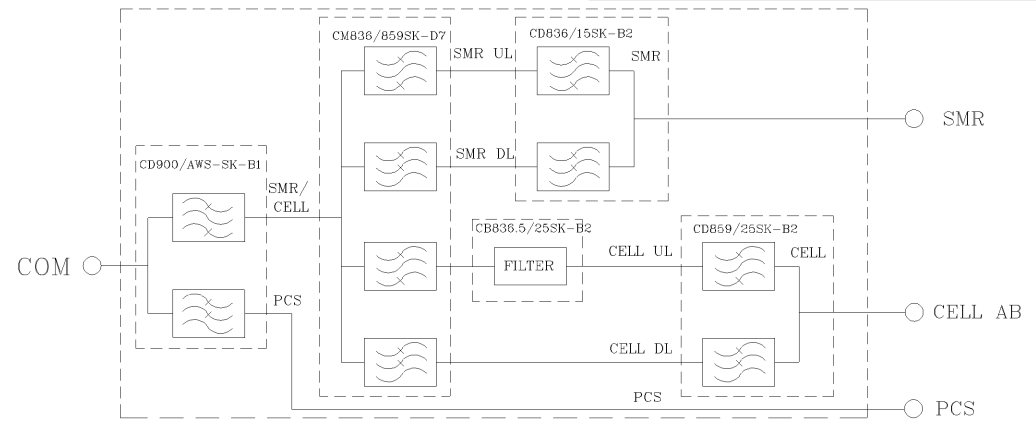
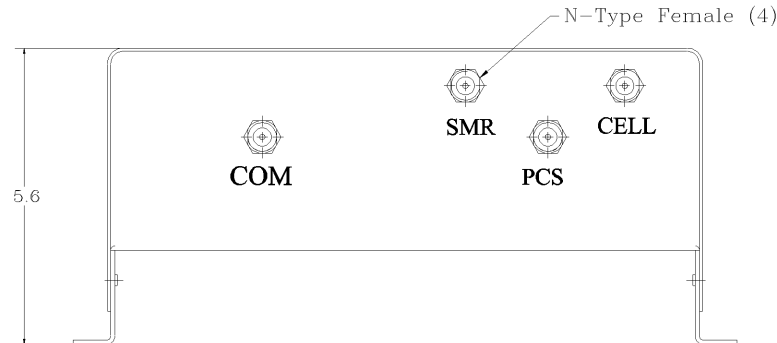


REVISIONS			
REV		DATE	APPROVED



**G-Wave**  
COMBINER  
SMR/CELL/PCS



*Electrical Specifications*

- \*SMR UL Frequency Range [MHz] : 806-813
- \*Passband Insertion Loss [dB] : 2.8 (Max.), 2.7 (Typ.)
- \*SMR DL Frequency Range [MHz] : 851-858
- \*Passband Insertion Loss [dB] : 3.8 (Max.), 3.3 (Typ.)
- \*SMR DL Rejection @ 849 MHz [dBc] : 30 (Typ.)
- \*CELL AB UL Frequency Range [MHz] : 824-849
- \*Passband Insertion Loss [dB] : 4.0 (Max.), 3.8 (Typ.)
- \*CELL AB UL Rejection @ 851 MHz [dBc] : 40 (Typ.)
- \*CELL AB DL Frequency Range [MHz] : 869-894
- \*Passband Insertion Loss [dB] : 2.8 (Max.), 2.6 (Typ.)
- \*PCS UL Frequency Range [MHz] : 1850-1910
- \*Passband Ripple [dB] : <0.5 P-T-P
- \*PCS DL Frequency Range [MHz] : 1930-1990
- \*Passband Insertion Loss [dB] : 0.4 (Max.), 0.3 (Typ.)
- \*Passband Ripple [dB] : <0.5 P-T-P
- \*Isolation Between All Filters [dB] : 35 (Min.), 50 (Typ.)
- \*Impedance [Ohm] : 50
- \*VSWR IN/OUT : 1.32:1 (Max.)
- \*Power Handling CW : 20 Watt
- \*FINISH - Textured Epoxy Blue
- \*Net Weight : 5.7 kg/12.6 lb

OPERATING TEMPERATURE RANGE: -20°C TO +50°C

PROPRIETARY DOCUMENT:  
THE CONTENTS OF THIS DOCUMENT WITH ALL INFORMATION AND PROCESSES ARE THE SOLE PROPERTY OF G-Way Microwave. THIS DOCUMENT MAY NOT BE DUPLICATED OR DISCLOSED TO ANY PARTY EXCEPT BY EXPRESSLY WRITTEN PERMISSION. THE ONLY AUTHORIZED USE OF THIS DOCUMENT BY A VENDOR IS FOR QUOTE PURPOSES AND SAID VENDOR AGREES NOT TO DISCLOSE ITS CONTENTS TO ANY THIRD PARTY. THIS DOCUMENT IS COPYRIGHTED 1998.

**SKU # 88021357**

DIMENSIONS ARE IN INCHES: TOLERANCES ARE		CONTRACT NO:		<b>G-Wave, Inc.</b>					
ANGLES	DECIMALS	APPROVALS	DATE					TITLE Combiner SMR/N/CELLAB/PCS	
± 1"	X ± .05 XX ± .01 XXX ± .003	DRAWN Sivak	05/12	WMP-SMR/N/CELLAB/PCS-SK-A1		SIZE	CAGE CODE	DWG NO:	REV.
TREATMENT		CHECKED		A		WMP-SMR/CELL/PCS-SK-A1			0
FINISH	63	ENG.		SCALE None		SHEET 1 OF 1			
MATERIAL	AL6061-T6	DESIGN ACTIVITY							