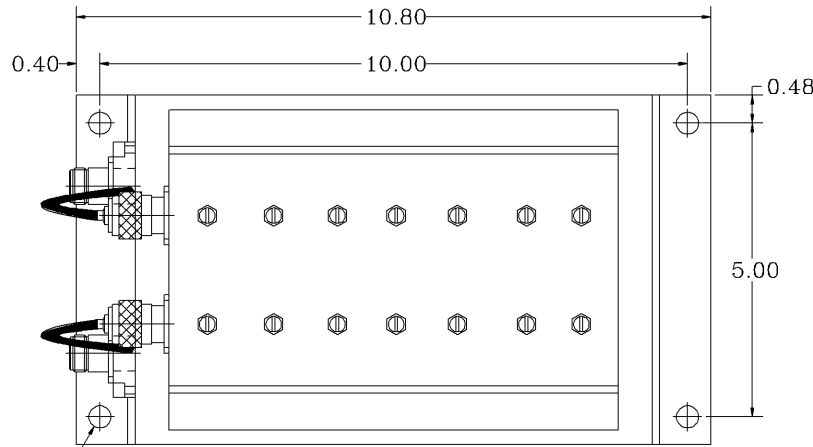
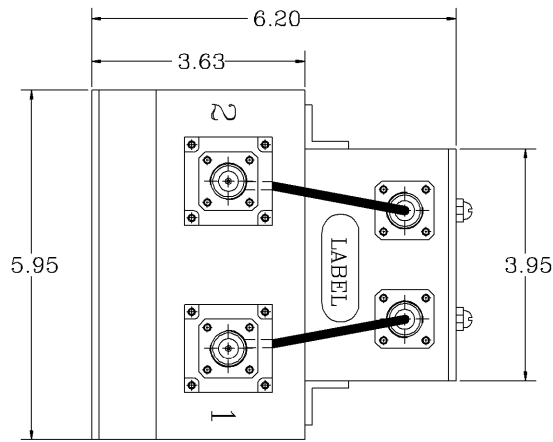
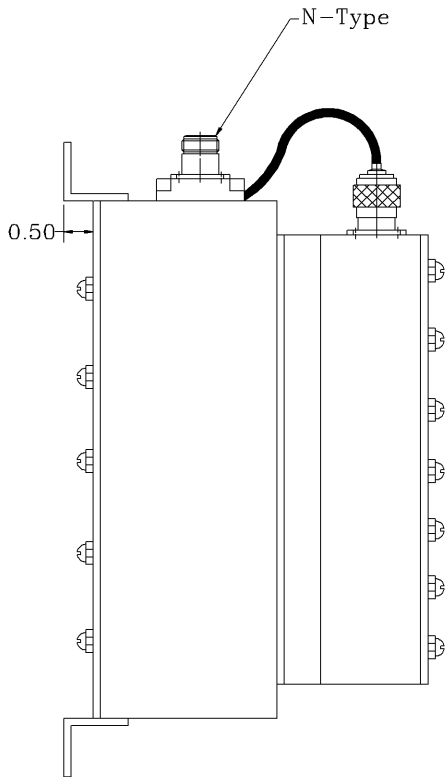
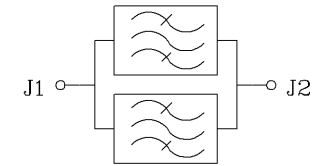


REVISIONS			
REV		DATE	APPROVED



Ø0.38 Thru  
4 PL



### Electrical Specifications

*Uplink A Frequency Range [MHz]	: 824-835
*Insertion Loss [dB]	: <2.6
*Rejection @ DC to 821 MHz [dB]	: 30 (Min.)
@ 837 to 844 MHz [dB]	: 30 (Min.)
*Uplink A' Frequency Range [MHz]	: 845-846.5
*Insertion Loss [dB]	: <2.9
*Rejection @ 837 to 844 MHz [dB]	: 30 (Min.)
@ 847.5 to 851 MHz [dB]	: 30 (Min.)
*RF Power Capability CW	: 100 Watt
*IM Products, IM3 @ 2 x +33 dBm [dBc]	: -143 (Min.)
*IM Products, IM3 @ 2 x +43 dBm [dBc]	: -133 (Typ.)
*Input/Output Impedance	: 50 ohm
*VSWR IN/OUT	: < 1.34:1

#### NOTES:

- BREAK ALL CORNERS & EDGES.005/.010.
- FINAL FINISH:  
TEXTURED EPOXY BLACK - OPTIONAL.

OPERATING TEMPERATURE RANGE: -20°C TO +75°C

PROPRIETARY DOCUMENT:  
THE CONTENTS OF THIS DOCUMENT WITH ALL INFORMATION AND PROCESSES ARE THE SOLE PROPERTY OF G-Way Microwave. THIS DOCUMENT MAY NOT BE DUPLICATED OR DISCLOSED TO ANY PARTY EXCEPT BY EXPRESSLY WRITTEN PERMISSION. THE ONLY AUTHORIZED USE OF THIS DOCUMENT BY A VENDOR IS FOR QUOTE PURPOSES AND SAID VENDOR AGREES NOT TO DISCLOSE ITS CONTENTS TO ANY THIRD PARTY. THIS DOCUMENT IS COPYRIGHTED 1998.

SKU # 88021114

DIMENSIONS ARE IN INCHES		CONTRACT NO:		<b>G-Way Microwave</b>			
TOLERANCES ARE ANGLES DECIMALS		APPROVALS DATE					
± 1"	X ± .05 XX ± .01 XXX ± .003	DRAWN Segal 05/02		TITLE Duplexer A+A' Uplink			
TREATMENT		CHECKED		CBB835/10MK-S1			
FINISH 63/		ENG. DESIGN ACTIVITY		SIZE A	CAGE CODE 3K1H4	DWG NO: CBB835/10MK-S1-1	REV. 0
MATERIAL AL6061-T6				SCALE None	SHEET 1 OF 1		