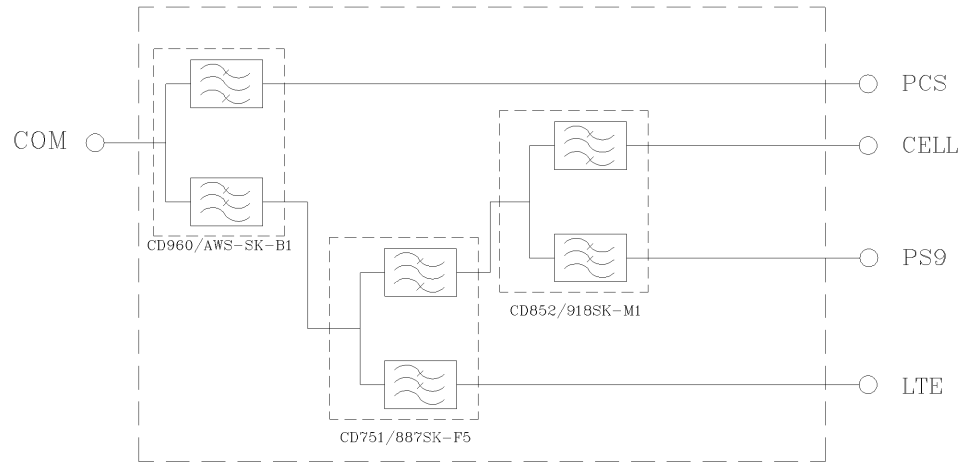
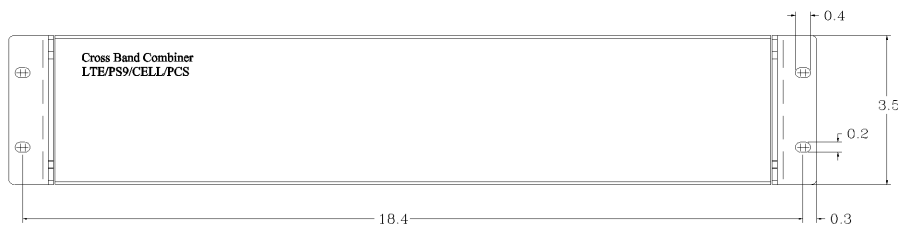
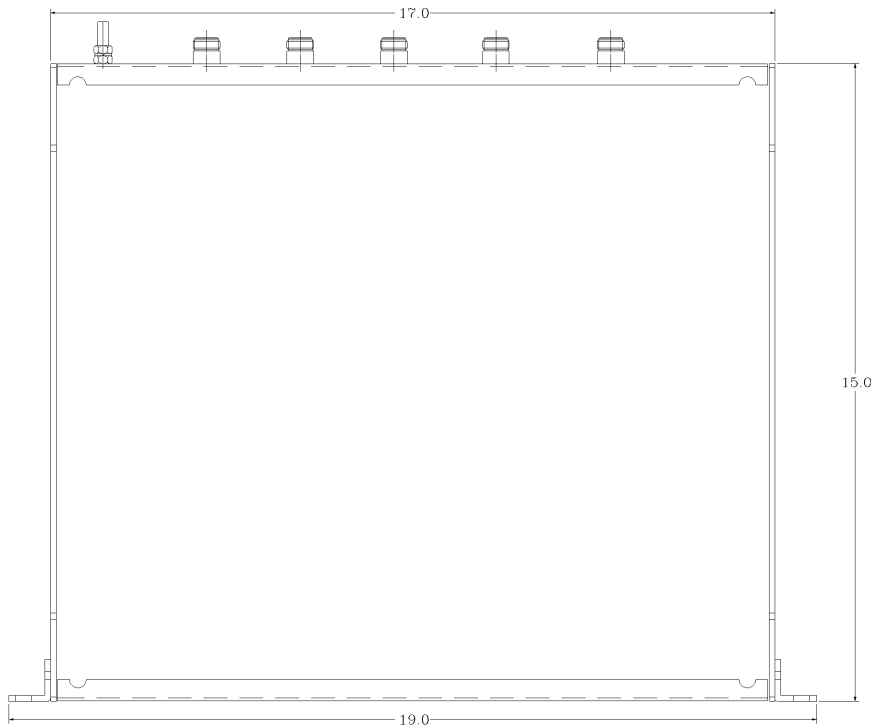
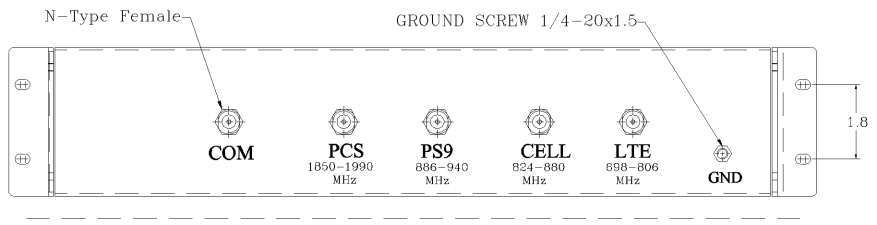


REVISIONS			
REV		DATE	APPROVED



### Electrical Specifications

- \*LTE Frequency Range [MHz] : 698-806
- \*Passband Insertion Loss [dB] : 1.6 (Max.), 1.2 (Typ.)
- \*Passband Ripple [dB] : <0.3 P-T-P
- \*CELL A Frequency Range [MHz] : 824-880
- \*Passband Insertion Loss [dB] : 1.4 (Max.), 1.2 (Typ.)
- \*Passband Ripple [dB] : <0.3 P-T-P
- \*PS9 Frequency Range [MHz] : 886-940
- \*Passband Insertion Loss [dB] : 1.4 (Max.), 1.2 (Typ.)
- \*Passband Ripple [dB] : <0.3 P-T-P
- \*PCS Frequency Range [MHz] : 1850-1990
- \*Passband Insertion Loss [dB] : 0.8 (Max.), 0.6 (Typ.)
- \*Passband Ripple [dB] : <0.3 P-T-P
- \*Isolation Between All Filters [dB] : 35 (Min.)
- \*Impedance [Ohm] : 50
- \*VSWR IN/OUT : 1.28:1 (Max.)
- \*RF Power Capability CW : 20 Watts
- \*FINISH: FLAT EPOXY BLACK
- \*Net Weight : 2.8 kg/6.3 lb

OPERATING TEMPERATURE RANGE: -20°C TO +50°C

PROPRIETARY DOCUMENT.  
 THE CONTENTS OF THIS DOCUMENT WITH ALL INFORMATION AND PROCESSES ARE THE SOLE PROPERTY OF G-Way Microwave. THIS DOCUMENT MAY NOT BE DUPLICATED OR DISCLOSED TO ANY PARTY EXCEPT BY EXPRESSLY WRITTEN PERMISSION. THE ONLY AUTHORIZED USE OF THIS DOCUMENT BY A VENDOR IS FOR QUOTE PURPOSES AND SAID VENDOR AGREES NOT TO DISCLOSE ITS CONTENTS TO ANY THIRD PARTY. THIS DOCUMENT IS COPYRIGHTED 1998.

SKU # 88701506

DIMENSIONS ARE IN INCHES TOLERANCES ARE		CONTRACT NO:		<b>G-Wave, Inc.</b>					
ANGLES	DECIMALS	APPROVALS	DATE					TITLE Combiner LTE/PS9/CELL/PCS	
± 1°	.X ± .05 .XX ± .01 .XXX ± .003	DRAWN Segal	03/14	RCM-LTE/PS9/CELLA/PCS-SK-A2		SIZE	CAGE CODE	DWG NO:	REV.
TREATMENT		ENG.	CHECKED	A		RCM-LTE/PS9/CELLA/PCS-SK-A2-1		0	
FINISH	63/	DESIGN ACTIVITY		SCALE	None			SHEET	1 OF 1
MATERIAL	AL6061-T6								