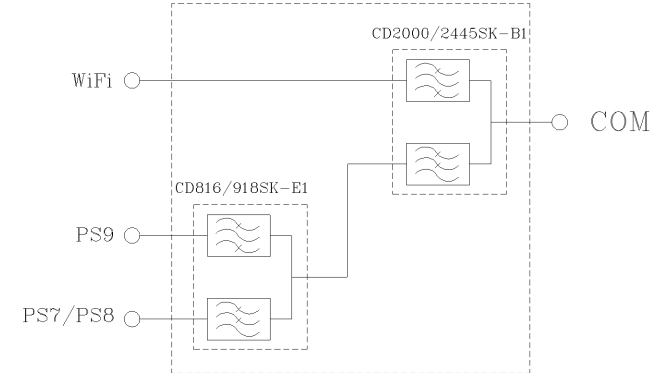
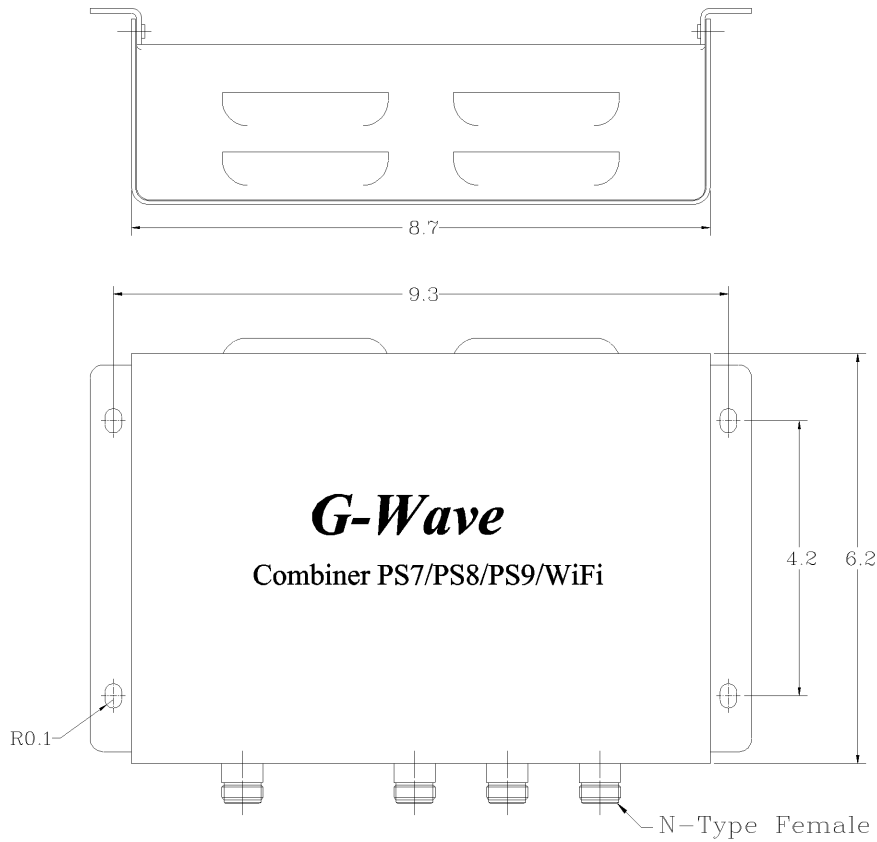


REVISIONS			
REV		DATE	APPROVED



Electrical Specifications

- *PS700/800 Frequency Range [MHz] : 763 to 869
- *Passband Insertion loss [dB] : 1.3 (Max.), 1.1 (Typ.)
- *PS900 Frequency Range [MHz] : 896 to 941
- *Passband Insertion loss [dB] : 1.5 (Max.), 1.3 (Typ.)
- *WiFi Frequency Range [MHz] : 2450 to 2270
- *Passband Insertion loss [dB] : 1.2 (Max.), 0.9 (Typ.)
- *Isolation between Passbands [dB] : 30 (Min.), 40 (Typ.)
- *Power CW : 20 Watt
- *Input/Output Impedance : 50 ohm
- *VSWR IN/OUT : <1.4:1
- *FINAL FINISH: TEXTURED EPOXY BLUE OR BROWN

OPERATING TEMPERATURE RANGE: -20°C TO +50°C

SKU # 88201755

DIMENSIONS ARE IN INCHES: TOLERANCES ARE		CONTRACT NO:		G-Wave, Inc.			
ANGLES	DECIMALS	APPROVALS	DATE				
± 1°	.XX ± .01 .XXX ± .003	Sivak	04/14	Combiner PS7/PS8/PS9/WiFi		WCM-PS7/PS8/PS9/WiFi-SK-A3	
TREATMENT	FINISH	CHECKED	DESIGN ACTIVITY	SIZE	CAGE CODE	DWG NO:	REV.
63				A		WCM-PS7/PS8/PS9/WiFi-SK-A3-1	0
MATERIAL				SCALE	None		SHEET 1 OF 1