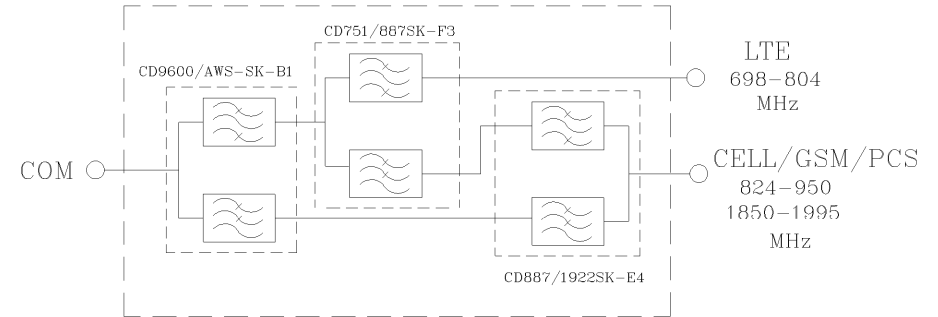
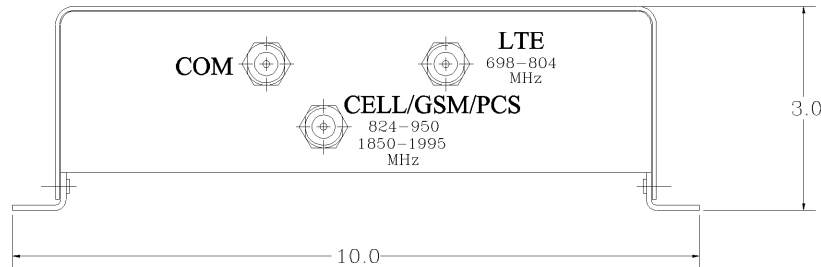
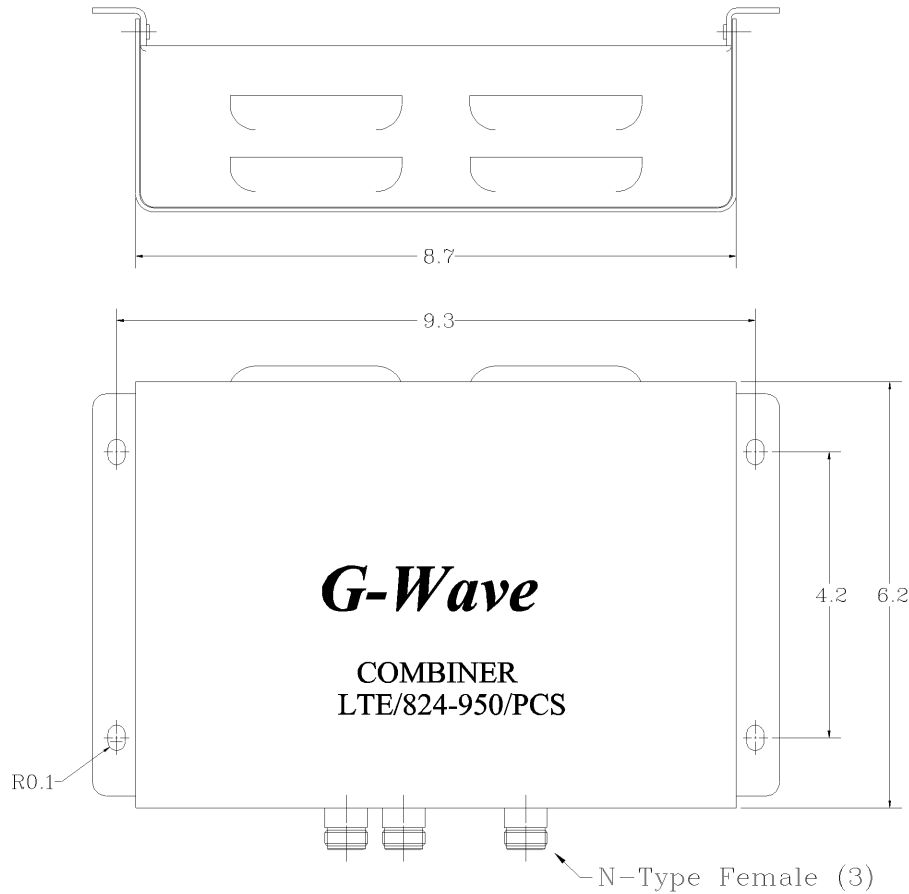


REVISIONS			
REV		DATE	APPROVED



Electrical Specifications

- *LTE Frequency Range [MHz] : 698-804
- *Passband Insertion Loss [dB] : 0.9 (Max.), 0.8 (Typ.)
- *Passband Ripple [dB] : <0.4 P-T-P
- *CELL/GSM Frequency Range [MHz] : 824-950
- *Passband Insertion Loss [dB] : 1.0 (Max.), 0.9 (Typ.)
- *Passband Ripple [dB] : <0.4 P-T-P
- *PCS Frequency Range [MHz] : 1850-1995
- *Passband Insertion Loss [dB] : 0.7 (Max.), 0.6 (Typ.)
- *Passband Ripple [dB] : <0.4 P-T-P
- *Isolation Between All Filters [dB] : 50 (Min.), 55 (Typ.)
- *Impedance [Ohm] : 50
- *VSWR IN/OUT : 1.32:1 (Max.)
- *Power Handling CW : 10 Watt
- *FINISH - Textured Epoxy Blue or Brown
- *Net Weight : 2.9 kg/6.4 lb

OPERATING TEMPERATURE RANGE: -20°C TO +50°C

PROPRIETARY DOCUMENT.
THE CONTENTS OF THIS DOCUMENT WITH ALL INFORMATION AND PROCESSES ARE THE SOLE PROPERTY OF G-Way Microwave. THIS DOCUMENT MAY NOT BE DUPLICATED OR DISCLOSED TO ANY PARTY EXCEPT BY EXPRESSLY WRITTEN PERMISSION. THE ONLY AUTHORIZED USE OF THIS DOCUMENT BY A VENDOR IS FOR QUOTE PURPOSES AND SAID VENDOR AGREES NOT TO DISCLOSE ITS CONTENTS TO ANY THIRD PARTY. THIS DOCUMENT IS COPYRIGHTED 1998.

SKU # 88021204

DIMENSIONS ARE IN INCHES TOLERANCES ARE		CONTRACT NO:		G-Wave, Inc.			
ANGLES	DECIMALS	APPROVALS	DATE	TITLE Combiner LTE/CELL/GSM/PCS			
± 1°	X ± .05 XX ± .01 XXX ± .003	DRAWN Sivak	07/10	WMP-LTE/824-950/PCS-SK-A2			
TREATMENT		CHECKED		SIZE	CAGE CODE	DWG NO:	REV.
FINISH 63/		ENG.		A		WMP-LTE/824-950/PCS-SK-A2-1	0
MATERIAL	AL6061-T6	DESIGN ACTIVITY		SCALE	None		SHEET 1 OF 1