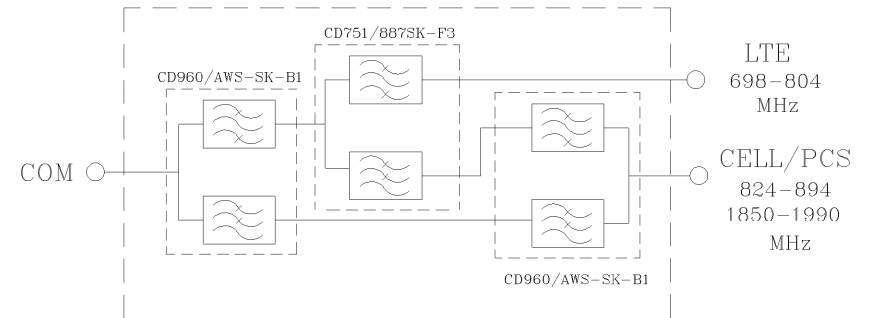
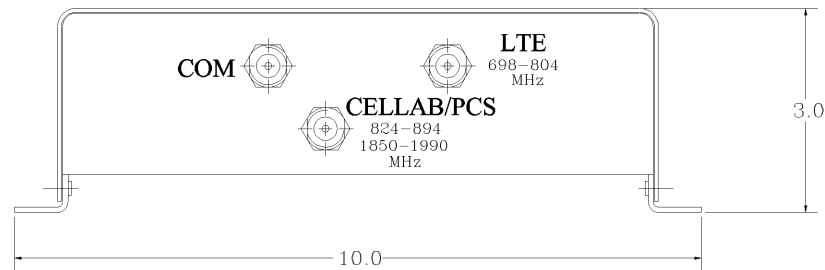
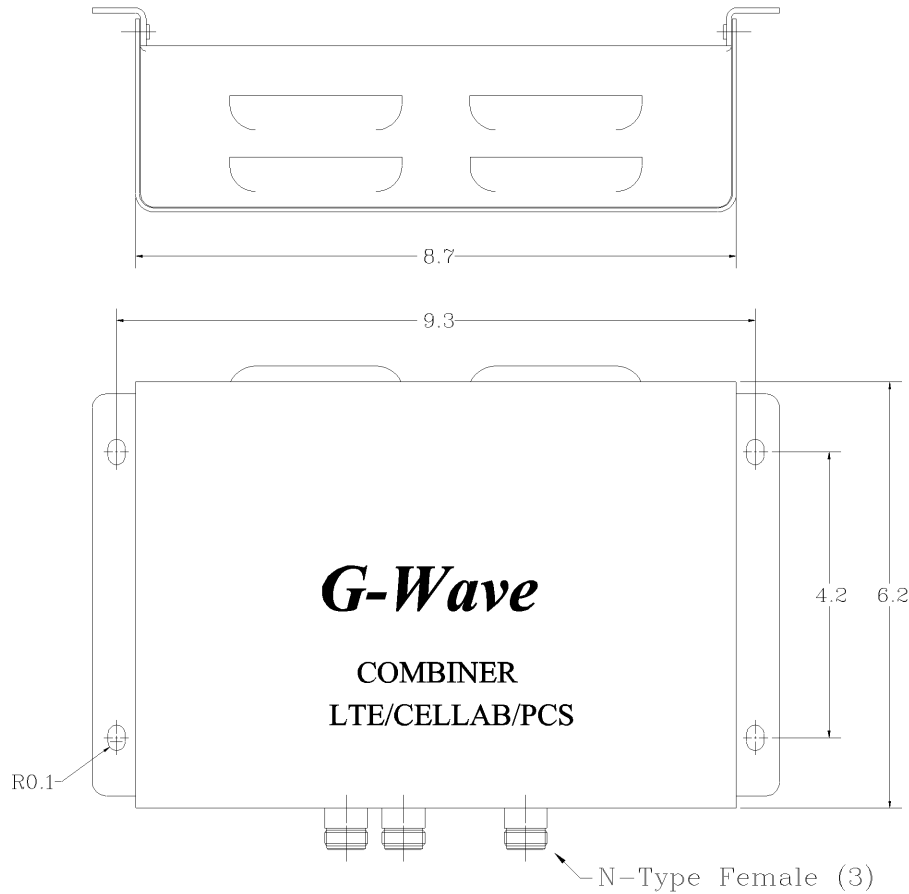


REVISIONS			
REV		DATE	APPROVED



Electrical Specifications

- *LTE Frequency Range [MHz] : 698-804
- *Passband Insertion Loss [dB] : 0.9 (Max.), 0.8 (Typ.)
- *Passband Ripple [dB] : <0.4 P-T-P
- *CELLAB Frequency Range [MHz] : 824-894
- *Passband Insertion Loss [dB] : 1.0 (Max.), 0.9 (Typ.)
- *Passband Ripple [dB] : <0.4 P-T-P
- *PCS Frequency Range [MHz] : 1850-1990
- *Passband Insertion Loss [dB] : 0.7 (Max.), 0.6 (Typ.)
- *Passband Ripple [dB] : <0.4 P-T-P
- *Isolation Between All Filters [dB] : 50 (Min.), 55 (Typ.)
- *Impedance [Ohm] : 50
- *VSWR IN/OUT : 1.32:1 (Max.)
- *Power Handling CW : 10 Watt
- *FINISH: TEXTURED EPOXY BLUE OR BROWN
- *Net Weight : 2.9 kg/6.4 lb

OPERATING TEMPERATURE RANGE: -20°C TO +55°C

PROPRIETARY DOCUMENT.
THE CONTENTS OF THIS DOCUMENT WITH ALL INFORMATION AND PROCESSES ARE THE SOLE PROPERTY OF G-Way Microwave. THIS DOCUMENT MAY NOT BE DUPLICATED OR DISCLOSED TO ANY PARTY EXCEPT BY EXPRESSLY WRITTEN PERMISSION. THE ONLY AUTHORIZED USE OF THIS DOCUMENT BY A VENDOR IS FOR QUOTE PURPOSES AND SAID VENDOR AGREES NOT TO DISCLOSE ITS CONTENTS TO ANY THIRD PARTY. THIS DOCUMENT IS COPYRIGHTED 1998.

SKU # 88021121

DIMENSIONS ARE IN INCHES TOLERANCES ARE		CONTRACT NO:		G-Wave, Inc.			
ANGLES	DECIMALS	APPROVALS	DATE				
± 1°	.X ± .05 .XX ± .01 .XXX ± .003	DRAWN Sivak	07/11	Combiner LTE/CELLAB/PCS		WMP-LTE/CELLAB/PCS-SK-A2	
TREATMENT		CHECKED		SIZE	CAGE CODE	DWG NO:	REV.
FINISH	63/	ENG.		A		WMP-LTE/CELLAB/PCS-SK-A2-1	0
MATERIAL	AL6061-T6	DESIGN ACTIVITY		SCALE	None		SHEET 1 OF 1