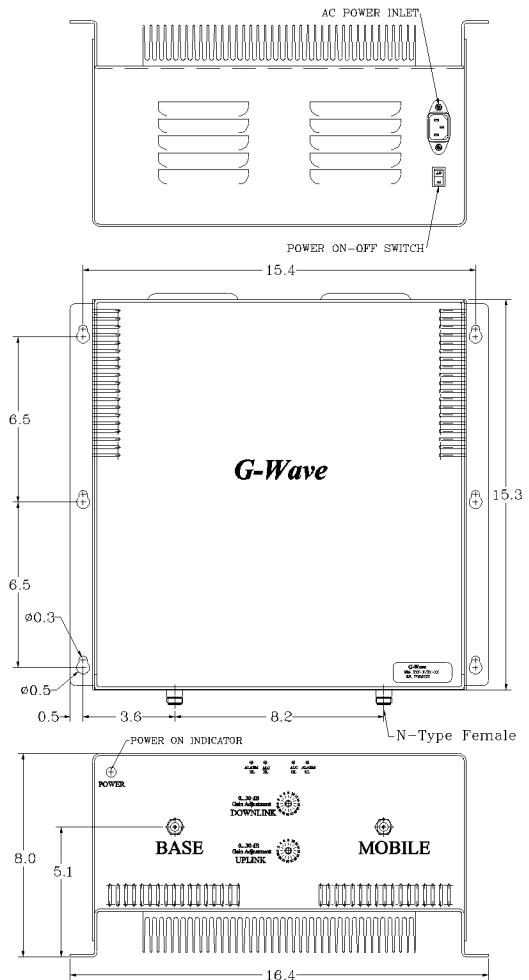


This is a Generic Specification provided for electric specification definition and is not available for purchase. Exact frequencies must be provided and a final specification generated prior to order. G-Wave BDAs are factory tuned.

AVAILABLE OPTIONS	Description

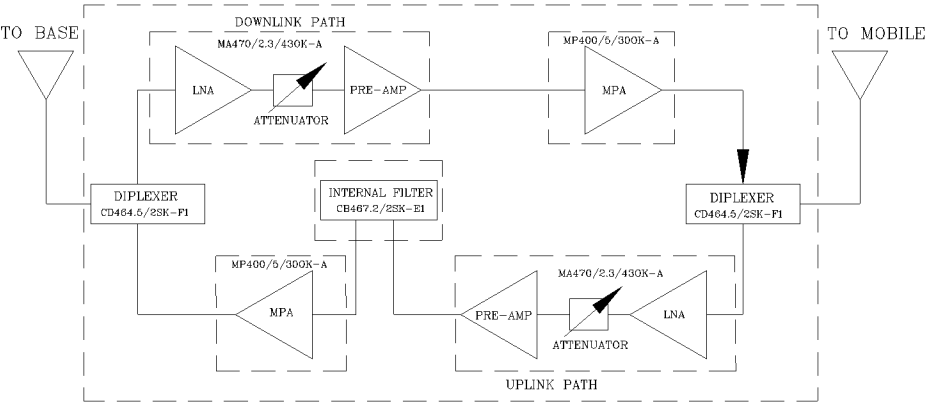
REVISIONS			
REV		DATE	APPROVED
A	Enclosure changed to reflect additional filters inside.	11/11	G. David
B	Part Numbering System Changed	06/13	G. David



WITHOUT INCLUSION OF ACSP OPTION, THIS UNIT MAY NOT BE POWERED BY A GENERATOR.

WARNING. This is NOT a CONSUMER device. It is designed for installation by FCC LICENSEES and QUALIFIED INSTALLERS. You MUST have an FCC LICENSE or express consent of an FCC Licensee to operate this device. Unauthorized use may result in significant forfeiture penalties, including penalties in excess of \$100,000 for each continuing violation.

SKU # 13502369



Electrical Specifications

- *Down-Link (Base to Mobile) Frequency Range [MHz] : 380-512
- *Up-Link (Mobile to Base) Frequency Range [MHz] : 380-512
- *Frequency of Operation Bandwidth [MHz] : 2
- *Minimum Passband Separation [MHz] : 3
- *Gain (Minimum attenuation) [dB] : 55 (Min.) , 60 (Typ.)
- *Gain Flatness [dB] : +/- 2.0 (Typ.)
- *Noise Figure (System) [dB] : 6.0 (Max.), 5.5 (Typ.)
- *Manual Attenuation Range [dB] : 0-30 in 2-dB steps
- *Output Power ALC Set [dBm] : Uplink : +20±1, Downlink : +20±1
- *Output Composite Power [dBm] : Uplink : +20 (Typ.), Downlink : +20 (Typ.)
- *3rd Order Output Intercept Point [dBm] @ 2 tones + 17 dBm each : Uplink : +37 (Typ.), Downlink : +37 (Typ.)
- *3rd Order Output Intercept Point [dBm] @ 2 tones + 17 dBm each : Downlink : +37 (Typ.)
- *Power Supply : 110V/0.34A to 220V/1.7A (Autoranging) 50 to 60 Hz
- *Propagation Delay [uSec] : <0.3
- *Input/Output Impedance : 50 ohm
- *VSWR IN/OUT : <1.5:1
- *Net Weight : < 17.5 kg/38.9 lb
- *PAINT: TEXTURED EPOXY BROWN

OPERATING TEMPERATURE RANGE: -30°C TO +55°C

DIMENSIONS ARE IN INCHES TOLERANCES ARE: ANGLES DECIMALS ± 1" .XX ± .05 .XX ± .01 .XXX ± .003		CONTRACT NO:		<h2 style="text-align: center;">G-Wave Solutions</h2>	
TREATMENT		APPROVALS DATE			
FINISH 63		DRAWN Sivak 10/12		TITLE UHF BDA BDA-UHF/2-20/20-55-AB	
MATERIAL		CHECKED		SIZE CAGE CODE DWG NO:	
		ENG. DESIGN ACTIVITY		BDA-UHF/2-31/20-55-AB-1	
SCALE None				REV. B	
				SHEET 1 OF 1	

FCC ID Q8KUHF3680AB