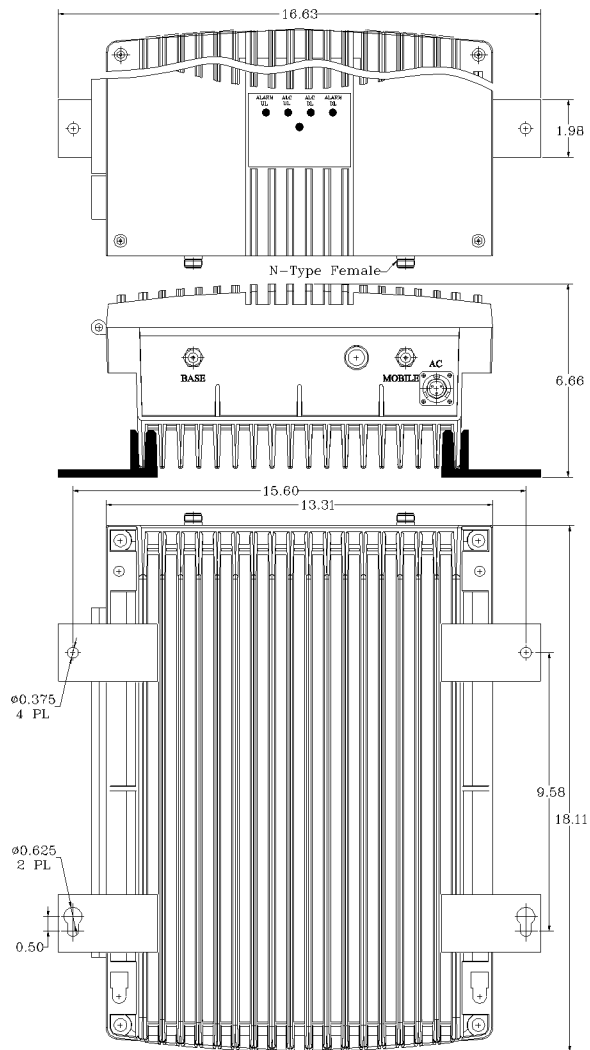


INCLUDED OPTIONS	Description
<b>D</b>	Cannon type AC Connector (No AC/DC Protections)
<b>VA</b>	Local Visual Alarms

REVISIONS			
REV		DATE	APPROVED
A	Linearity and power upgraded (FS8-27/33)	12/12	G. David

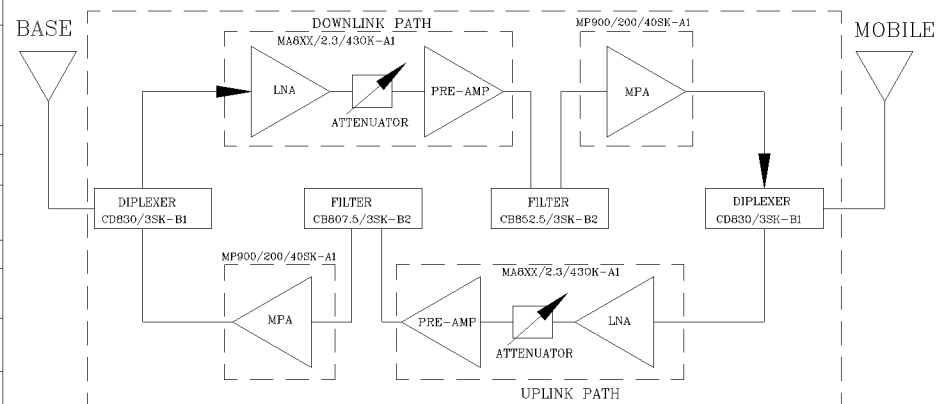


**WARNING.** This is NOT a CONSUMER device. It is designed for installation by FCC LICENSEES and QUALIFIED INSTALLERS. You MUST have an FCC LICENSE or express consent of an FCC Licensee to operate this device. Unauthorized use may result in significant forfeiture penalties, including penalties in excess of \$100,000 for each continuing violation.

WITHOUT INCLUSION OF ACSP OPTION, THIS UNIT MAY NOT BE POWERED BY A GENERATOR.

**SKU # 11602230**

DC Current Draw @ +24VDC: 1.72A



### Electrical Specifications

- \*Down-Link (Base to Mobile) Frequency Range [MHz] : 851 - 854
- \*Up-Link (Mobile to Base) Frequency Range [MHz] : 806 - 809
- \*Selectivity @ +/- 2 MHz from Passband [dBc] : 40 (Typ.)
- @ +/- 4 MHz from Passband [dBc] : 60 (Typ.)
- \*Gain (Minimum attenuation) [dB] : 80 (Min.), 85 (Typ.)
- \*Gain Flatness [dB] : +/- 1.5 (Max.)
- \*Noise Figure [dB] : 5.5 (Max.), 5.0 (Typ.)
- \*Manual Attenuation Range [dB] : 0-30 in 2-dB steps
- \*Output Power ALC Set [dBm]
- Uplink : +27 ±1
- Downlink : +30 ±1
- \*Output Composite Power [dBm]
- Uplink : +27 (Typ.)
- Downlink : +30 (Typ.)
- Uplink : +48 (Typ.)
- \*3rd Order Output Intercept Point [dBm]
- @ 2 tones + 24 dBm each
- Downlink : +50 (Typ.)
- \*3rd Order Output Intercept Point [dBm]
- @ 2 tones + 27 dBm each
- \*Power Supply : 110V/0.47A to 220V/.23A (Autoranging) 50 to 60 Hz
- \*Propagation Delay [uSec] : <0.25
- \*Input/Output Impedance : 50 ohm
- \*VSWR IN/OUT : < 1.5:1
- \*Net Weight : < 18 kg/35.6 lb
- \*PAINT: FLAT EPOXY BROWN

OPERATING TEMPERATURE RANGE: -30°C TO +55°C

**NEMA 4 ENCLOSURE**

DIMENSIONS ARE IN INCHES		CONTRACT NO:	
TOLERANCES ARE:		APPROVALS	DATE
ANGLES ± 1°	DECIMALS .X ± .05 .XX ± .01 .XXX ± .005	DRAWN Sivak	10/16
TREATMENT	CHECKED		
FINISH 63	ENG.		
MATERIAL	DESIGN ACTIVITY		

<b>G-Wave Solutions</b>			
TITLE NFPA 800 MHz BDA			
BDA-NPSPAC/N-27/30-80-C			
SIZE	CAGE CODE	DWG NO:	REV.
A		BDA-NPSPAC/N-27/30-80-C-1	A
SCALE None			SHEET 1 OF 1

FCC ID: Q8KPS8N3790C