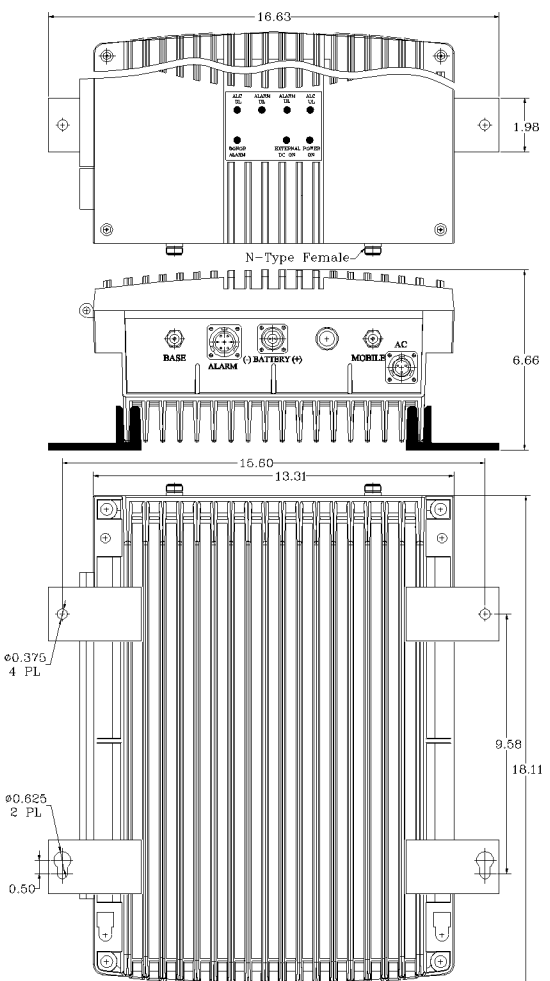


REVISIONS			
REV		DATE	APPROVED
A	Part Numbering System Changed	12/12	G. David



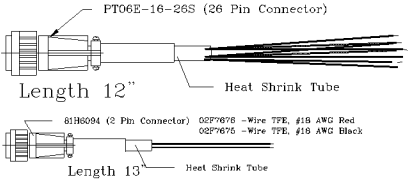
AVAILABLE OPTIONS	Description
O26	Standard NFPA Compliant Local Alarming via 26-Pin Connector
S1	External +24 to +26.5 VDC Back Up
D	Cannon Type AC Connector (No AC/DC Protections)
RED	RED Enclosure

PIN #	DESCRIPTION
A	1-NO DL/UL Current Alarm
B	1-COM DL/UL Current Alarm
C	1-NC DL/UL Current Alarm
D	2-NO Donor Antenna Alarm
E	2-COM Donor Antenna Alarm
F	2-NC Donor Antenna Alarm
G	3-NO DC Backup Alarm
H	3-COM DC Backup Alarm
J	3-NC DC Backup Alarm
K	
L	
M	
N	GND
P	GND
R	+12 VDC 200mA
S	+12 VDC 200mA (STNB)



WARNING. This is NOT a CONSUMER device. It is designed for installation by FCC LICENSEES and QUALIFIED INSTALLERS. You MUST have an FCC LICENSE or express consent of an FCC Licensee to operate this device. Unauthorized use may result in significant forfeiture penalties, including penalties in excess of \$100,000 for each continuing violation.

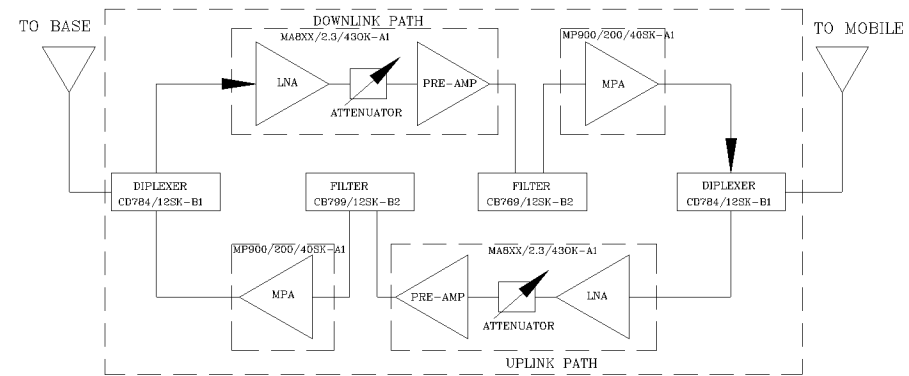
WITHOUT INCLUSION OF ACSP OPTION, THIS UNIT MAY NOT BE POWERED BY A GENERATOR.



SKU # 11602248
DC Current Draw @ +24VDC: 1.79A

NEMA 4 ENCLOSURE

OPERATING TEMPERATURE RANGE: -30°C TO +55°C



Electrical Specifications
(Standard Unit)

- *Down-Link (Base to Mobile) Frequency Range [MHz] : 763-775
- *Up-Link (Mobile to Base) Frequency Range [MHz] : 793-805
- *Selectivity @ +/- 4 MHz from Passband [dBc] : 40 (Typ.)
- *Gain (Minimum attenuation) [dB] : 80 (Min.), 85 (Typ.)
- *Gain Flatness [dB] : +/- 1.5 (Max.)
- *Noise Figure [dB] : 5.0 (Max.), 4.5 (Typ.)
- *Manual Attenuation Range [dB] : 0-30 in 2-dB steps
- *Output Power ALC Set [dBm]
 - Uplink : +25±1
 - Downlink : +33±1
- *Output Composite Power [dBm]
 - Uplink : +25 (Typ.)
 - Downlink : +33 (Typ.)
 - Uplink : +45 (Typ.)
- *3rd Order Output Intercept Point [dBm] @ 2 tones + 22 dBm each
- *3rd Order Output Intercept Point [dBm] @ 2 tones + 30 dBm each
 - Downlink : +52 (Typ.)
- *Power Supply : 110V/0.49A to 220V/0.24A (Autoranging) 50 to 60 Hz
- *Propagation Delay [uSec] : <0.25
- *Input/Output Impedance : 50 ohm
- *VSWR IN/OUT : <1.5:1
- *Net Weight : < 16 kg/35 lb
- *PAINT: FLAT EPOXY BROWN

DIMENSIONS ARE IN INCHES. TOLERANCES ARE:		CONTRACT NO:		G-Wave Solutions	
ANGLES	DECIMALS	APPROVALS	DATE		
± 1°	.XX ± .05 .XX ± .01 .XXX ± .003	DRAWN Sivak	05/11	TITLE NFPA 700 MHz LMR BDA BDA-PS7-25/33-80-C	
TREATMENT	CHECKED	ENG. DESIGN ACTIVITY		SIZE	CAGE CODE
FINISH 63				A	DWG NO: BDA-PS7-25/33-80-C-1
MATERIAL				SCALE None	SHEET 1 OF 1