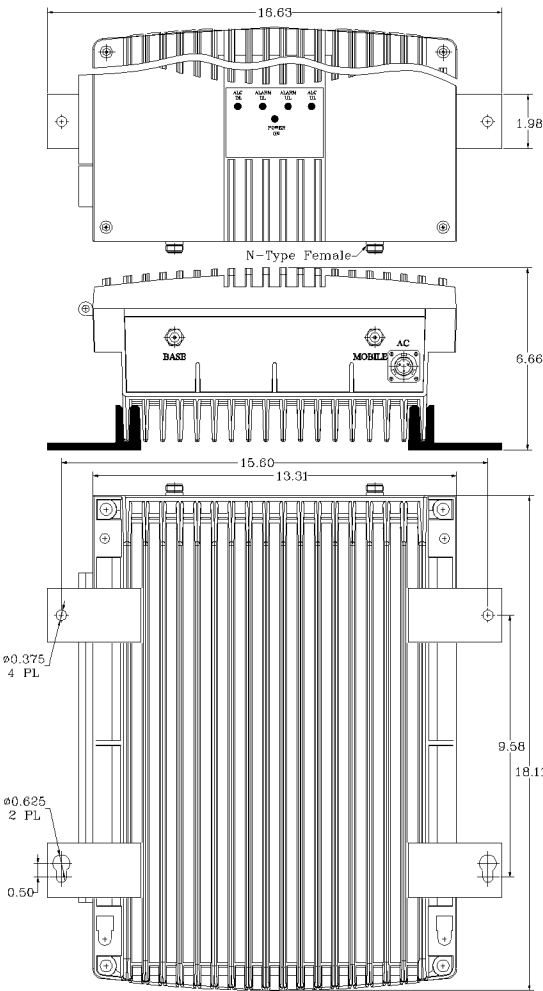
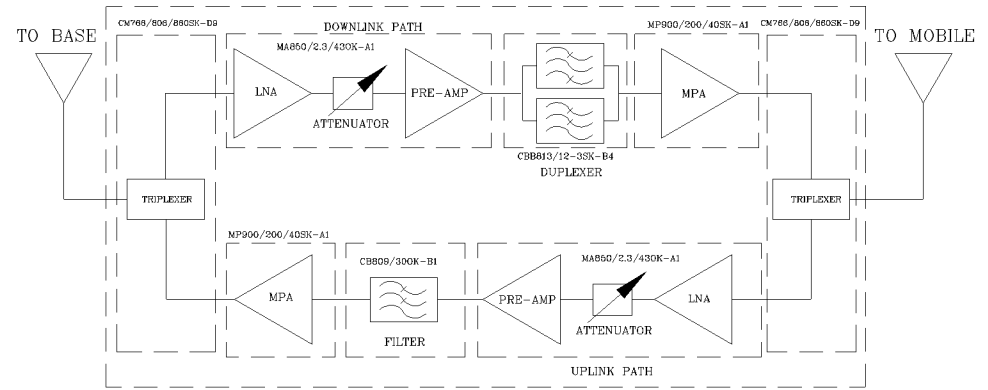


REVISIONS

REV	DESCRIPTION	DATE	APPROVED
A	Linearity and power upgraded (PSB-25/33)	11/12	G. David



AVAILABLE OPTIONS	Description



Electrical Specifications

- *Down-Link (Base to Mobile) Frequency Range [MHz] : 763 - 775
- : 851 - 854
- *Up-Link (Mobile to Base) Frequency Range [MHz] : 793 - 809
- *Gain (Minimum attenuation) [dB] : 80 (Min.), 85 (Typ.)
- *Gain Flatness [dB] : +/- 1.5 (Typ.)
- *Noise Figure (System) [dB] : 5.5 (Max.), 5.0 (Typ.)
- *Manual Attenuation Range [dB] : 0 - 30 in 2-dB steps
- *Output Power ALC Set [dBm]
 - Uplink : +27±1
 - Downlink : +33±1
- *Output Composite Power [dBm]
 - Uplink : +27 (Typ.)
 - Downlink : +33 (Typ.)
 - Uplink : +48 (Typ.)
 - Downlink : +52 (Typ.)
- *3rd Order Output Intercept Point [dBm] @ 2 tones + 24 dBm each
- *3rd Order Output Intercept Point [dBm] @ 2 tones + 30 dBm each
- *Power Supply : 110V/0.51A to 220V/26A (Autorangeing) 50 to 60 Hz
- *Propagation Delay [uSec] : <0.3
- *Input/Output Impedance : 50 ohm
- *VSWR IN/OUT : <1.5:1
- *Net Weight : < 16 kg/ 35 lb
- *PAINT: FLAT EPOXY BROWN

WARNING. This is NOT a CONSUMER device. It is designed for installation by FCC LICENSEES and QUALIFIED INSTALLERS. You MUST have an FCC LICENSE or express consent of an FCC Licensee to operate this device. Unauthorized use may result in significant forfeiture penalties, including penalties in excess of \$100,000 for each continuing violation.

WITHOUT INCLUSION OF ACSP OPTION, THIS UNIT MAY NOT BE POWERED BY A GENERATOR.

SKU # 11602968

NEMA 4 ENCLOSURE

DIMENSIONS ARE IN INCHES		CONTRACT NO:		<i>G-Wave Solutions</i>	
TOLERANCES ARE:					
ANGLES	DECIMALS	APPROVALS	DATE	TITLE 700/800 MHz BDA BDA-PS7/NPSPAC/N-27/33-80-C	
± 1°	.XX ± .05 .XXX ± .001	DRAWN Sivak	06/14		
TREATMENT		CHECKED		SIZE	CAGE CODE
FINISH	63	ENG.		DWG NO:	REV.
MATERIAL		DESIGN ACTIVITY		A	BDA-PS7/NPSPAC/N-27/33-80-C-1
				SCALE	None
					SHEET 1 OF 1

FCC ID: Q8KPS7W83790

OPERATING TEMPERATURE RANGE: -30°C TO +55°C