

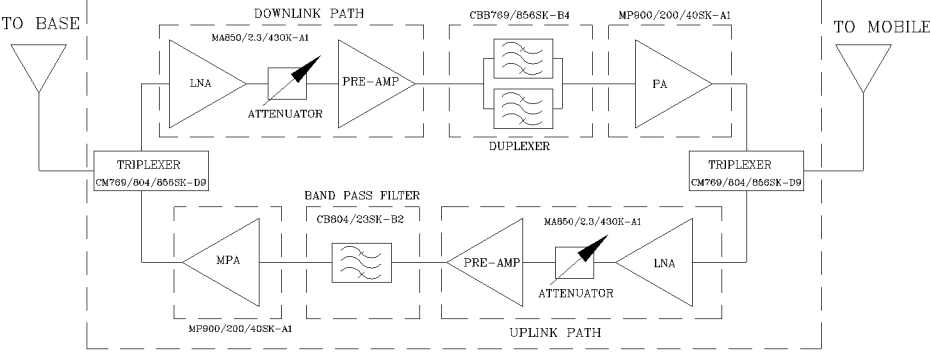
AVAILABLE OPTIONS	Description

WARNING. This is NOT a CONSUMER device. It is designed for installation by FCC LICENSEES and QUALIFIED INSTALLERS. You MUST have an FCC LICENSE or express consent of an FCC Licensee to operate this device. Unauthorized use may result in significant forfeiture penalties, including penalties in excess of \$100,000 for each continuing violation.

*WITHOUT INCLUSION OF ACSP OPTION, THIS UNIT MAY NOT BE POWERED BY A GENERATOR.*

**SKU # 11602159**

REVISIONS			
REV	DESCRIPTION	DATE	APPROVED
A	Linearity and power upgraded (PS8-25/33)	11/12	G. David



### Electrical Specifications

- \*Down-Link (Base to Mobile) Frequency Range [MHz] : 763 - 775  
: 851 - 861
- \*Up-Link (Mobile to Base) Frequency Range [MHz] : 793 - 816
- \*Attenuation Downlink @ 862 MHz [dBc] : 30 (Typ.)
- \*Gain (Minimum attenuation) [dB] : 80 (Min.), 85 (Typ.)
- \*Gain Flatness [dB] : +/- 1.5 (Typ.)
- \*Noise Figure (System) [dB] : 5.0 (Max.), 4.5 (Typ.)
- \*Manual Attenuation Range [dB] : 0 - 30 in 2-dB steps
- \*Output Power ALC Set [dBm]
  - Uplink : +25±1
  - Downlink : +25±1
- \*Output Composite Power [dBm]
  - Uplink : +25 (Typ.)
  - Downlink : +25 (Typ.)
- \*3rd Order Output Intercept Point [dBm] @ 2 tones + 22 dBm each
  - Uplink : +45 (Typ.)
  - Downlink : +45 (Typ.)
- \*3rd Order Output Intercept Point [dBm] @ 2 tones + 22 dBm each
  - Downlink : +45 (Typ.)
- \*Power Supply : 110V/0.37A to 220V/1.9A (Autoranging) 50 to 60 Hz
- \*Propagation Delay [uSec] : <0.3
- \*Input/Output Impedance : 50 ohm
- \*VSWR IN/OUT : <1.5:1
- \*Net Weight : < 16 kg/35 lb
- \*PAINT: FLAT EPOXY BROWN

OPERATING TEMPERATURE RANGE: -30°C TO +55°C

### NEMA4 ENCLOSURE

DIMENSIONS ARE IN INCHES. TOLERANCES ARE:				CONTRACT NO:		<b>G-Wave Solutions</b>				
ANGLES	DECIMALS			APPROVALS	DATE					TITLE Dual Band BDA 700/800 MHz LMR
± 1°	.XX ± .05 .XXX ± .01 .XXXX ± .005			DRAWN Sivak	06/15	<b>BDA-PS7/PS8NEPS/N-25/25-80-C</b>				
TREATMENT	FINISH			CHECKED		SIZE	CAGE CODE	DWG NO:	REV.	
	63					A		BDA-PS7/PS8NEPS/N-25/25-80-C-1	A	
MATERIAL						SCALE	None		SHEET 1 OF 1	

FCC ID Q8KPS7W83790