

AVAILABLE OPTIONS	Description

WITHOUT INCLUSION OF ACSP OPTION, THIS UNIT MAY NOT BE POWERED BY A GENERATOR.

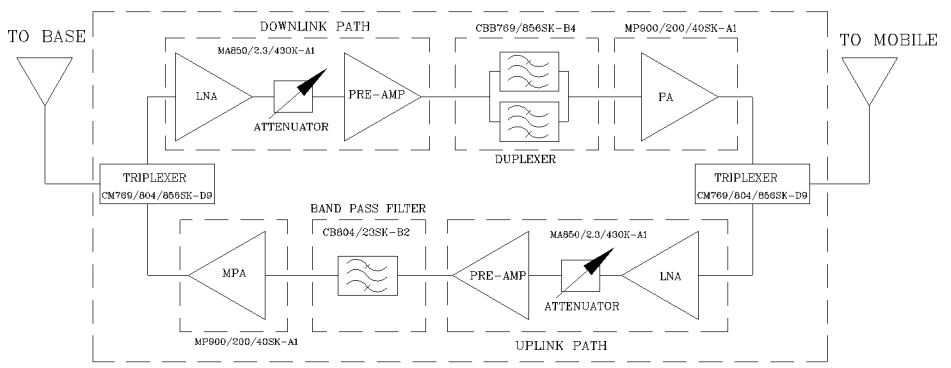
WARNING. This is NOT a CONSUMER device. It is designed for installation by FCC LICENSEES and QUALIFIED INSTALLERS. You MUST have an FCC LICENSE or express consent of an FCC Licensee to operate this device. Unauthorized use may result in significant forfeiture penalties, including penalties in excess of \$100,000 for each continuing violation.

SKU # 11602185

NEMA 4 ENCLOSURE

FCC ID Q8KPS7W83790

REVISIONS			
REV	DESCRIPTION	DATE	APPROVED
A	Linearity and power upgraded (PS8-25/33)	11/12	G. David



Electrical Specifications

- *Down-Link (Base to Mobile) Frequency Range [MHz] : 763 - 775
: 851 - 861
- *Up-Link (Mobile to Base) Frequency Range [MHz] : 793 - 816
- *Attenuation Downlink @ 862 MHz [dBc] : 30 (Typ.)
- *Gain (Minimum attenuation) [dB] : 80 (Min.), 85 (Typ.)
- *Gain Flatness [dB] : +/- 1.5 (Typ.)
- *Noise Figure (System) [dB] : 5.0 (Max.), 4.5 (Typ.)
- *Manual Attenuation Range [dB] : 0 - 30 in 2-dB steps
- *Output Power ALC Set [dBm] : Uplink : +27±1
: Downlink : +27±1
- *Output Composite Power [dBm] : Uplink : +27 (Typ.)
: Downlink : +27 (Typ.)
- *3rd Order Output Intercept Point [dBm] @ 2 tones + 24 dBm each : Uplink : +48 (Typ.)
: Downlink : +48 (Typ.)
- *3rd Order Output Intercept Point [dBm] @ 2 tones + 24 dBm each : Downlink : +48 (Typ.)
- *Power Supply : 110V/0.41A to 220V/.21A (Autoranging) 50 to 60 Hz
- *Propagation Delay [uSec] : <0.3
- *Input/Output Impedance : 50 ohm
- *VSWR IN/OUT : <1.5:1
- *Net Weight : < 16 kg/35 lb
- *PAINT: FLAT EPOXY BROWN

OPERATING TEMPERATURE RANGE: -30°C TO +55°C

DIMENSIONS ARE IN INCHES. TOLERANCES ARE:		CONTRACT NO:		<h2 style="text-align: center;">G-Wave Solutions</h2>	
ANGLES	DECIMALS	APPROVALS	DATE		
± 1"	.XX ± .05 .XXX ± .01 .XXXX ± .005	DRAWN Sivak	06/15	700/800 MHz LMR BDA	
TREATMENT	FINISH	CHECKED	ENG.	BDA-PS7/PS8NEPS/N-27/27-80-C	
		DESIGN ACTIVITY		SIZE	
				A	
MATERIAL				CAGE CODE	
				DWG NO:	
				BDA-PS7/PS8NEPS/N-27/27-80-C-1	
				REV.	
				A	
				SCALE None	
				SHEET 1 OF 1	