

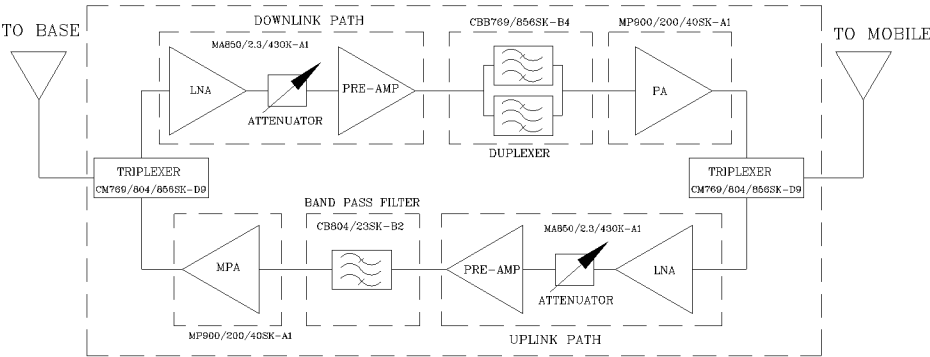
AVAILABLE OPTIONS	Description

WITHOUT INCLUSION OF ACSP
OPTION, THIS UNIT MAY NOT
BE POWERED BY A GENERATOR.

SKU # 11602241

WARNING: This is NOT a CONSUMER device. It is designed for installation by FCC LICENSEES and QUALIFIED INSTALLERS. You MUST have an FCC LICENSE or express consent of an FCC Licensee to operate this device. Unauthorized use may result in significant forfeiture penalties, including penalties in excess of \$100,000 for each continuing violation.

REVISIONS			
REV	DESCRIPTION	DATE	APPROVED
A	Linearity and power upgraded (PS8-25/33)	11/12	G. David



Electrical Specifications

- *Down-Link (Base to Mobile) Frequency Range [MHz]** : 763 - 775 : 851 - 861
- *Up-Link (Mobile to Base) Frequency Range [MHz]** : 793 - 816
- *Attenuation Downlink @ 862 MHz [dBc]** : 30 (Typ.)
- *Gain (Minimum attenuation) [dB]** : 80 (Min.), 85 (Typ.)
- *Gain Flatness [dB]** : +/- 1.5 (Typ.)
- *Noise Figure (System) [dB]** : 5.0 (Max.), 4.5 (Typ.)
- *Manual Attenuation Range [dB]** : 0 - 30 in 2-dB steps
- *Output Power ALC Set [dBm]**
 - Uplink : +27±1
 - Downlink : +30±1
- *Output Composite Power [dBm]**
 - Uplink : +27 (Typ.)
 - Downlink : +30 (Typ.)
 - Uplink : +48 (Typ.)
- *3rd Order Output Intercept Point [dBm]**
 - @ 2 tones + 24 dBm each
 - Downlink : +50 (Typ.)
 - @ 2 tones + 27 dBm each
- *Power Supply** : 110V/0.47A to 220V/.23A (Autoranging) 50 to 60 Hz
- *Propagation Delay [uSec]** : <0.3
- *Input/Output Impedance** : 50 ohm
- *VSWR IN/OUT** : <1.5:1
- *Net Weight** : < 16 kg/ 35 lb
- *PAINT: FLAT EPOXY BROWN**

OPERATING TEMPERATURE RANGE: -30°C TO +55°C

NEMA 4 ENCLOSURE

DIMENSIONS ARE IN INCHES. TOLERANCES ARE:		CONTRACT NO:		G-Wave Solutions	
ANGLES	DECIMALS	APPROVALS	DATE	TITLE	
± 1°	.XX ± .05 .XXX ± .01 .XXX ± .003	DRAWN Sivak	06/15	700/800 MHz LMR BDA	
TREATMENT	FINISH	CHECKED	ENG.	SIZE	CAGE CODE
	63 ✓		DESIGN ACTIVITY	A	DWG NO: BDA-PS7/PS8NEPS/N-27/30-50-C-1
MATERIAL				SCALE	REVISIONS
				None	A
				SHEET 1 OF 1	

FCC ID Q8KPS7W3790C