

AVAILABLE OPTIONS	Description

WARNING. This is NOT a CONSUMER device. It is designed for installation by FCC LICENSEES and QUALIFIED INSTALLERS. You MUST have an FCC LICENSE or express consent of an FCC Licensee to operate this device. Unauthorized use may result in significant forfeiture penalties, including penalties in excess of \$100,000 for each continuing violation.

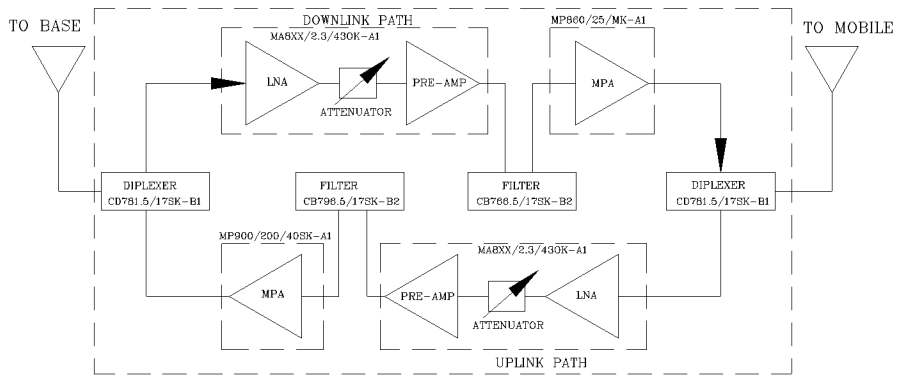
WITHOUT INCLUSION OF ACSP OPTION, THIS UNIT MAY NOT BE POWERED BY A GENERATOR.

SKU # 11602312

NEMA 4 ENCLOSURE

FCC ID: Q8KPS7W3790C

REVISIONS			
REV	DESCRIPTION	DATE	APPROVED
A	Part Numbering System Changed	11/12	G. David



Electrical Specifications

- *Down-Link (Base to Mobile) Frequency Range [MHz] : 758 - 775
- *Up-Link (Mobile to Base) Frequency Range [MHz] : 788 - 805
- *Selectivity @ +/- 2 MHz from Passband [dBc] : 25 (Min.)
- @ +/- 4 MHz from Passband [dBc] : 60 (Min.)
- *Gain (Minimum attenuation) [dB] : 90 (Min.)
- *Gain Flatness [dB] : +/- 1.5 (Typ.)
- *Noise Figure (System) [dB] : 5.5 (Max.), 5.0 (Typ.)
- *Manual Attenuation Range [dB] : 0 - 30 in 2-dB steps
- *Output Power ALC Set [dBm]
 - Uplink : +25±1
 - Downlink : +37±1
- *Output Composite Power [dBm]
 - Uplink : +25 (Typ.)
 - Downlink : +37 (Typ.)
 - Uplink : +45 (Typ.)
 - Downlink : +58 (Typ.)
- *3rd Order Output Intercept Point [dBm]
 - @ 2 tones + 22 dBm each
 - @ 2 tones + 34 dBm each
- *3rd Order Output Intercept Point [dBm]
 - @ 2 tones + 22 dBm each
 - @ 2 tones + 34 dBm each
- *Power Supply : 110V/0.63A to 220V/0.32A (Autoranging) 50 to 60 Hz
- *Propagation Delay [uSec] : <0.3
- *Input/Output Impedance : 50 ohm
- *VSWR IN/OUT : <1.5:1
- *Net Weight : < 16 kg/35 lb
- *PAINT: FLAT EPOXY BROWN

OPERATING TEMPERATURE RANGE: -30°C TO +55°C

DIMENSIONS ARE IN INCHES. TOLERANCES ARE:		CONTRACT NO:				G-Wave Solutions			
ANGLES	DECIMALS	APPROVALS	DATE	TITLE 700 MHz LMR BDA (LTE)					
± 1°	.XX ± .05 .XXX ± .01	DRAWN Sivak	11/11	BDA-PS7W-25/37-90-C		SIZE	CAGE CODE	DWG NO:	REV.
TREATMENT	CHECKED	ENG.	DESIGN ACTIVITY	A		BDA-PS7W-25/37-90-C-1	A		
FINISH	63	MATERIAL		SCALE	None				SHEET 1 OF 1