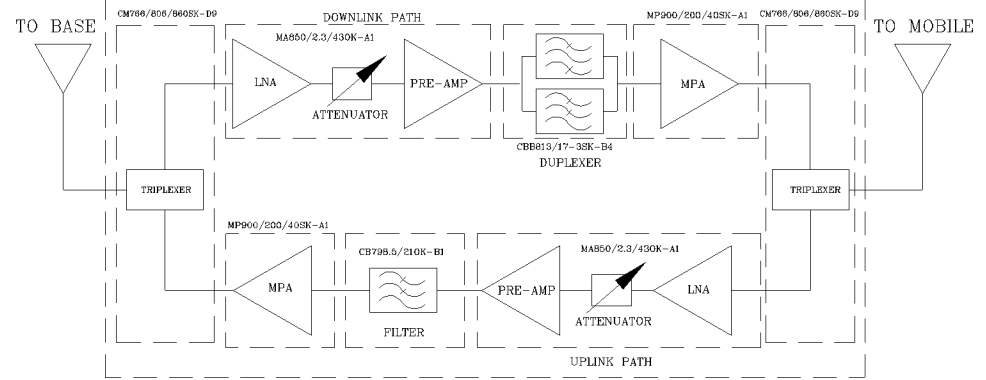


REVISIONS

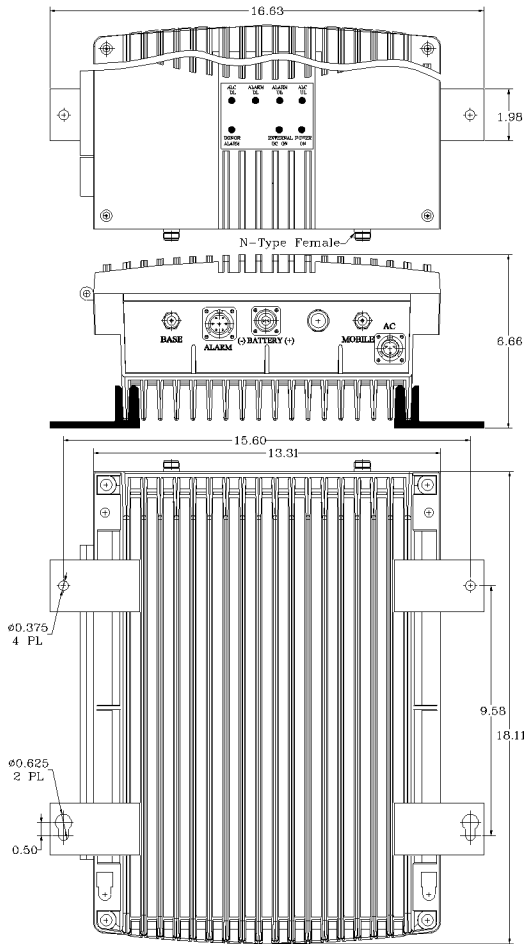
| REV | DATE | APPROVED |
|-----|-------|----------|
| A | 11/12 | G. David |

| AVAILABLE OPTIONS | Description |
|-------------------|---|
| O26 | Standard NFPA Compliant Local Alarming via 26-Pin Connector |
| S1 | External +24 to +26.5 VDC Back Up |
| D | Cannon Type AC Connector (No AC/DC Protections) |
| RED | RED Enclosure |



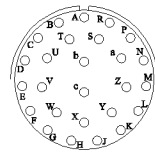
Electrical Specifications

- *Down-Link (Base to Mobile) Frequency Range [MHz] : 758 - 775
- : 851 - 854
- *Up-Link (Mobile to Base) Frequency Range [MHz] : 788 - 809
- *Gain (Minimum attenuation) [dB] : 80 (Min.), 85 (Typ.)
- *Gain Flatness [dB] : +/- 1.5 (Typ.)
- *Noise Figure (System) [dB] : 5.5 (Max.), 5.0 (Typ.)
- *Manual Attenuation Range [dB] : 0 - 30 in 2-dB steps
- *Output Power ALC Set [dBm]
 - Uplink : +25±1
 - Downlink : +33±1
- *Output Composite Power [dBm]
 - Uplink : +25 (Typ.)
 - Downlink : +33 (Typ.)
- *3rd Order Output Intercept Point [dBm]
 - Uplink : +45 (Typ.)
 - Downlink : +52 (Typ.)
- *3rd Order Output Intercept Point [dBm]
 - @ 2 tones + 22 dBm each
 - @ 2 tones + 30 dBm each
- *Power Supply : 110V/0.49A to 220V/0.24A (Autoranging) 50 to 60 Hz
- *Propagation Delay [uSec] : <0.3
- *Input/Output Impedance : 50 ohm
- *VSWR IN/OUT : <1.5:1
- *Net Weight : < 16 kg/ 35 lb
- *PAINT: FLAT EPOXY BROWN



| PIN # | DESCRIPTION |
|-------|---------------------------|
| A | 1-NO DL/UL Current Alarm |
| B | 1-COM DL/UL Current Alarm |
| C | 1-NC DL/UL Current Alarm |
| D | 2-NO Donor Antenna Alarm |
| E | 2-COM Donor Antenna Alarm |
| F | 2-NC Donor Antenna Alarm |
| G | 3-NO DC Backup Alarm |
| H | 3-COM DC Backup Alarm |
| J | 3-NC DC Backup Alarm |
| K | |
| L | |
| M | |
| N | GND |
| P | GND |
| R | +12 VDC 200mA |
| S | +12 VDC 200mA (STNB) |

PIN OUT NFPA O26

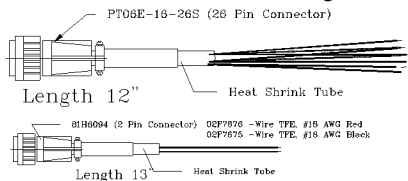


WITHOUT INCLUSION OF ACSP OPTION, THIS UNIT MAY NOT BE POWERED BY A GENERATOR.

WARNING. This is NOT a CONSUMER device. It is designed for installation by FCC LICENSEES and QUALIFIED INSTALLERS. You MUST have an FCC LICENSE or express consent of an FCC Licensee to operate this device. Unauthorized use may result in significant forfeiture penalties, including penalties in excess of \$100,000 for each continuing violation.

SKU # 11602265

DC Current Draw @ +24VDC: 1.79A



NEMA 4 ENCLOSURE

FCC ID: Q8KPS7W83790

OPERATING TEMPERATURE RANGE: -30°C TO +55°C

| DIMENSIONS ARE IN INCHES. TOLERANCES ARE: | | CONTRACT NO: | | G-Wave Solutions | |
|---|--|--------------|-------|--------------------------------------|--------------------------------|
| ANGLES | DECIMALS | APPROVALS | DATE | TITLE NFPA 700/800 MHz LMR BDA (LTE) | |
| ± 1" | .XX ± .05 .XXX ± .01 .XXX ± .003 | DRAWN Sivak | 11/15 | BDA-PS7W/NPSPAC/N-25/33-80-C | |
| TREATMENT | CHECKED | ENG. | | SIZE | CAGE CODE DWG NO: |
| FINISH | DESIGN ACTIVITY | | | A | BDA-PS7W/NPSPAC/N-25/33-80-C-1 |
| MATERIAL | | | | SCALE None | SHEET 1 OF 1 |