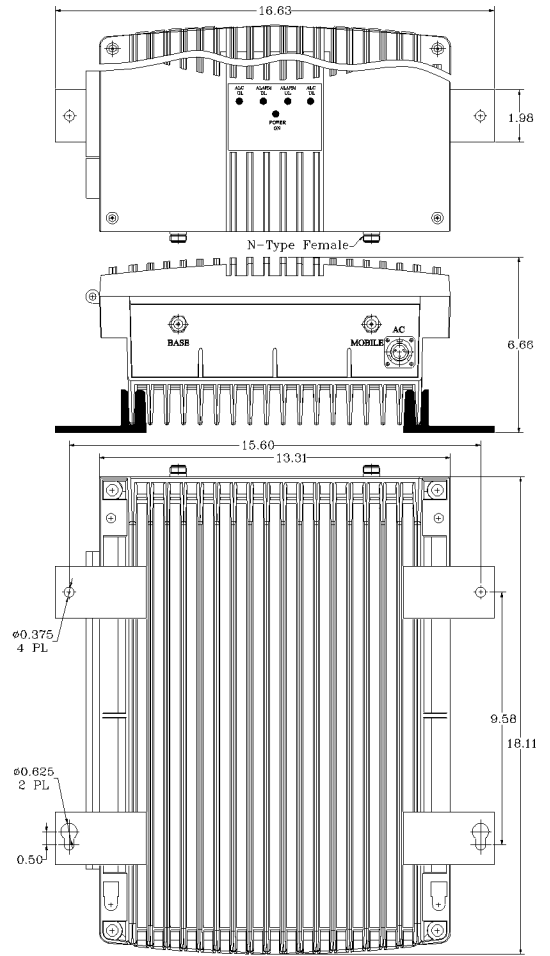
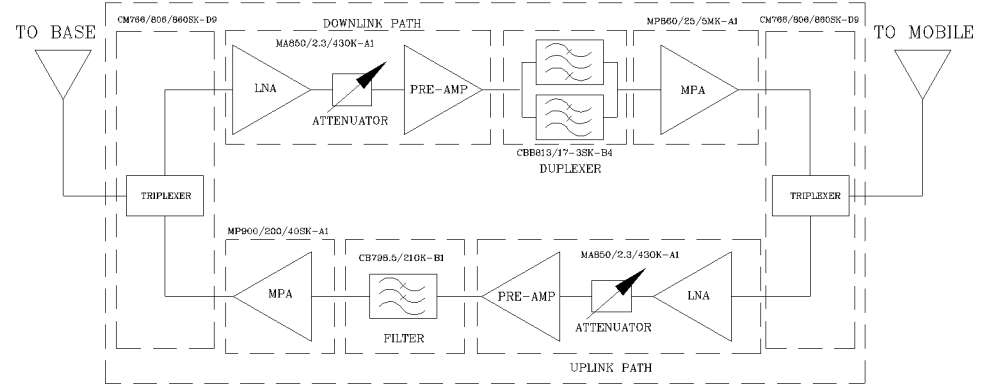


REVISIONS

REV		DATE	APPROVED
A	Linearity and power upgraded (PSB-25/33)	11/12	G. David

AVAILABLE OPTIONS	Description



Electrical Specifications

- *Down-Link (Base to Mobile) Frequency Range [MHz] : 758 - 775
- : 851 - 854
- *Up-Link (Mobile to Base) Frequency Range [MHz] : 788 - 809
- *Gain (Minimum attenuation) [dB] : 90 (Min.)
- *Gain Flatness [dB] : +/- 1.5 (Typ.)
- *Noise Figure (System) [dB] : 5.5 (Max.), 5.0 (Typ.)
- *Manual Attenuation Range [dB] : 0 - 30 in 2-dB steps
- *Output Power ALC Set [dBm]
 - Uplink : +25±1
 - Downlink : +37±1
- *Output Composite Power [dBm]
 - Uplink : +25 (Typ.)
 - Downlink : +37 (Typ.)
- *3rd Order Output Intercept Point [dBm]
 - Uplink : +45 (Typ.)
 - Downlink : +58 (Typ.)
- @ 2 tones + 22 dBm each
- @ 2 tones + 34 dBm each
- *Power Supply : 110V/0.63A to 220V/0.32A (Autoranging) 50 to 60 Hz
- *Propagation Delay [uSec] : <0.3
- *Input/Output Impedance : 50 ohm
- *VSWR IN/OUT : <1.5:1
- *Net Weight : < 16 kg/ 35 lb
- *PAINT: FLAT EPOXY BROWN

WARNING. This is NOT a CONSUMER device. It is designed for installation by FCC LICENSEES and QUALIFIED INSTALLERS. You MUST have an FCC LICENSE or express consent of an FCC Licensee to operate this device. Unauthorized use may result in significant forfeiture penalties, including penalties in excess of \$100,000 for each continuing violation.

WITHOUT INCLUSION OF ACSP OPTION, THIS UNIT MAY NOT BE POWERED BY A GENERATOR.

SKU # 11602331

NEMA 4 ENCLOSURE

OPERATING TEMPERATURE RANGE: -30°C TO +55°C

FCC ID: Q8KPS7W83790

DIMENSIONS ARE IN INCHES TOLERANCES ARE:		CONTRACT NO:		<p align="center">G-Wave Solutions</p> TITLE 700/800 MHz LMR BDA (LTE) BDA-PS7W/NPSPAC/N-25/37-90-C	
ANGLES ± 1°	DECIMALS X ± .05 XX ± .01 XXX ± .003	APPROVALS	DATE		
TREATMENT	FINISH 63	DRAWN Sivak	11/15	SIZE A	CAGE CODE
MATERIAL		CHECKED		DWG NO:	BDA-PS7W/NPSPAC/N-25/37-90-C-1
		ENG. DESIGN ACTIVITY		REV. A	
				SCALE None	SHEET 1 OF 1