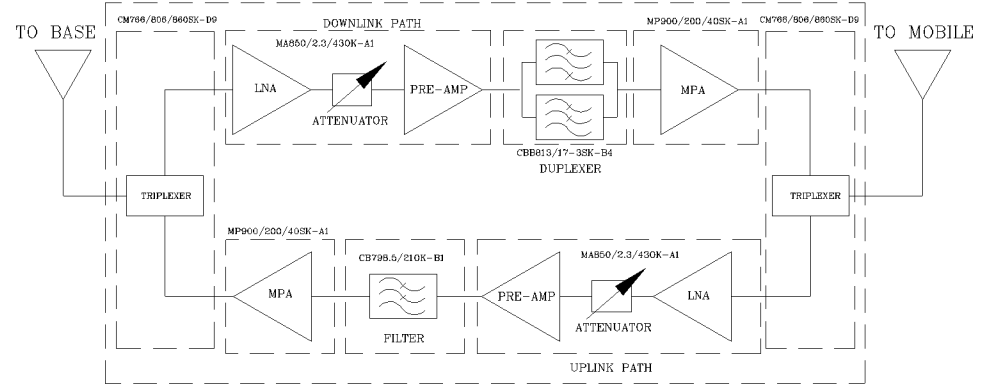


REVISIONS

| REV | DESCRIPTION | DATE | APPROVED |
|-----|--|-------|----------|
| A | Linearity and power upgraded (PSB-25/33) | 11/12 | G. David |

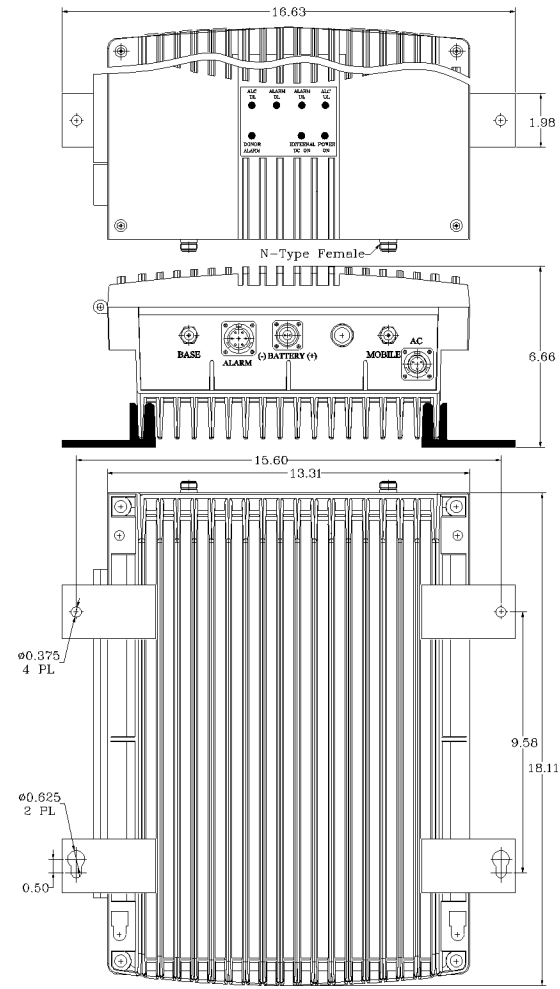
| AVAILABLE OPTIONS | Description |
|-------------------|---|
| O26 | Standard NFPA Compliant Local Alarming via 26-Pin Connector |
| S1 | External +24 to +26.5 VDC Back Up |
| D | Cannon Type AC Connector (No AC/DC Protections) |
| RED | RED Enclosure |



Electrical Specifications

- *Down-Link (Base to Mobile) Frequency Range [MHz] : 758 - 775
- : 851 - 854
- *Up-Link (Mobile to Base) Frequency Range [MHz] : 788 - 809
- *Gain (Minimum attenuation) [dB] : 80 (Min.), 85 (Typ.)
- *Gain Flatness [dB] : +/- 1.5 (Typ.)
- *Noise Figure (System) [dB] : 5.5 (Max.), 5.0 (Typ.)
- *Manual Attenuation Range [dB] : 0 - 30 in 2-dB steps
- *Output Power ALC Set [dBm]
 - Uplink : +27±1
 - Downlink : +33±1
- *Output Composite Power [dBm]
 - Uplink : +27 (Typ.)
 - Downlink : +33 (Typ.)
- *3rd Order Output Intercept Point [dBm]
 - Uplink : +48 (Typ.)
 - Downlink : +52 (Typ.)
- *3rd Order Output Intercept Point [dBm]
 - @ 2 tones + 24 dBm each
 - @ 2 tones + 30 dBm each
- *Power Supply : 110V/0.51A to 220V/0.26A (Autoranging) 50 to 60 Hz
- *Propagation Delay [uSec] : <0.3
- *Input/Output Impedance : 50 ohm
- *VSWR IN/OUT : <1.5:1
- *Net Weight : < 16 kg/ 35 lb
- *PAINT: FLAT EPOXY BROWN

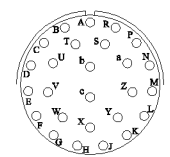
OPERATING TEMPERATURE RANGE: -30°C TO +55°C



WARNING. This is NOT a CONSUMER device. It is designed for installation by FCC LICENSEES and QUALIFIED INSTALLERS. You MUST have an FCC LICENSE or express consent of an FCC Licensee to operate this device. Unauthorized use may result in significant forfeiture penalties, including penalties in excess of \$100,000 for each continuing violation.

WITHOUT INCLUSION OF ACSP OPTION, THIS UNIT MAY NOT BE POWERED BY A GENERATOR.

PIN OUT NFPA O26

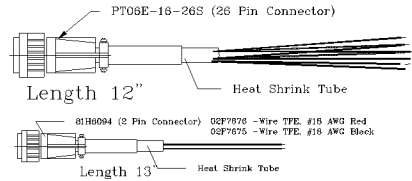


| PIN # | DESCRIPTION |
|-------|---------------------------|
| A | 1-NO DL/UL Current Alarm |
| B | 1-COM DL/UL Current Alarm |
| C | 1-NC DL/UL Current Alarm |
| D | 2-NO Donor Antenna Alarm |
| E | 2-COM Donor Antenna Alarm |
| F | 2-NC Donor Antenna Alarm |
| G | 3-NO DC Backup Alarm |
| H | 3-COM DC Backup Alarm |
| J | 3-NC DC Backup Alarm |
| K | |
| L | |
| M | |
| N | GND |
| P | GND |
| R | +12 VDC 200mA |
| S | +12 VDC 200mA (STNB) |

NEMA 4 ENCLOSURE

SKU # 11602292

DC Current Draw @ +24VDC: 1.87A



| DIMENSIONS ARE IN INCHES. TOLERANCES ARE: | | CONTRACT NO: | | G-Wave Solutions | |
|---|-----------|--------------|-----------------|----------------------------------|--------------|
| ANGLES | DECIMALS | APPROVALS | DATE | TITLE NFPA 700/800 MHz BDA (LTE) | |
| ± 1" | .XX ± .05 | DRAWN Sivak | 11/15 | BDA-PS7W/NPSPAC/N-27/33-80-C | |
| TREATMENT | CHECKED | ENG. | DESIGN ACTIVITY | SIZE | CAGE CODE |
| FINISH | 63 | | | A | DWG NO: |
| MATERIAL | | | | BDA-PS7W/NPSPAC/N-27/33-80-C-1 | |
| | | | | SCALE | SHEET 1 OF 1 |