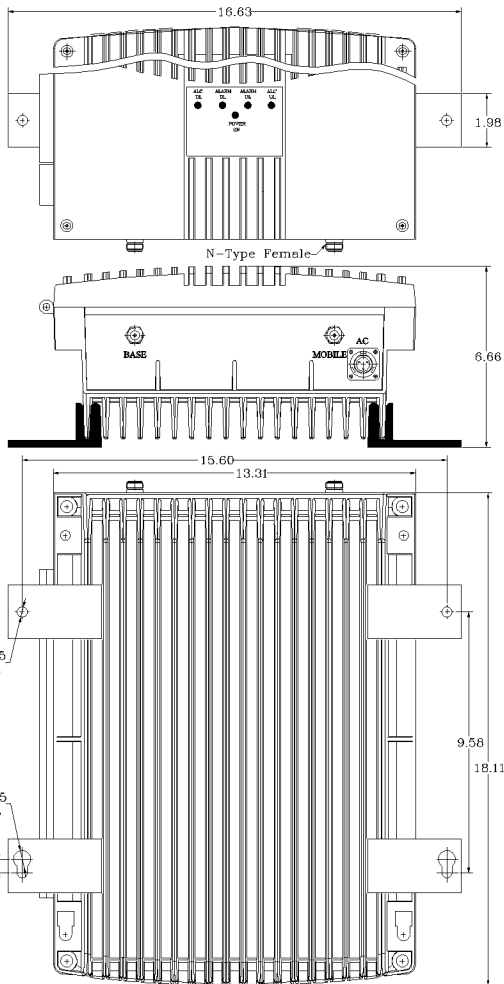
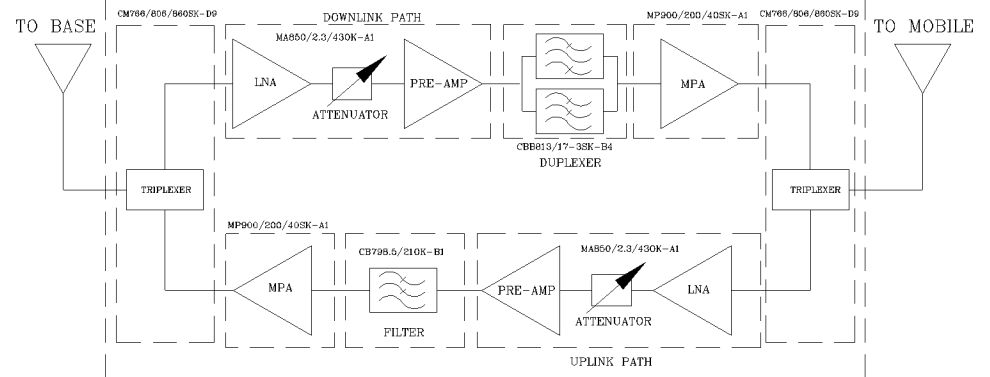


REVISIONS

REV		DATE	APPROVED
A	Linearity and power upgraded (PSB-25/33)	11/12	G. David

AVAILABLE OPTIONS	Description



Electrical Specifications

- *Down-Link (Base to Mobile) Frequency Range [MHz] : 758 - 775
: 851 - 854
- *Up-Link (Mobile to Base) Frequency Range [MHz] : 788 - 809
- *Gain (Minimum attenuation) [dB] : 80 (Min.), 85 (Typ.)
- *Gain Flatness [dB] : +/- 1.5 (Typ.)
- *Noise Figure (System) [dB] : 5.5 (Max.), 5.0 (Typ.)
- *Manual Attenuation Range [dB] : 0 - 30 in 2-dB steps
- *Output Power ALC Set [dBm]
 - Uplink : +27±1
 - Downlink : +33±1
- *Output Composite Power [dBm]
 - Uplink : +27 (Typ.)
 - Downlink : +33 (Typ.)
- *3rd Order Output Intercept Point [dBm]
 - Uplink : +48 (Typ.)
 - Downlink : +52 (Typ.)
- *3rd Order Output Intercept Point [dBm]
 - @ 2 tones + 24 dBm each
 - @ 2 tones + 30 dBm each
- *Power Supply : 110V/0.51A to 220V/0.26A (Autoranging) 50 to 60 Hz
- *Propagation Delay [uSec] : <0.3
- *Input/Output Impedance : 50 ohm
- *VSWR IN/OUT : <1.5:1
- *Net Weight : < 16 kg/ 35 lb
- *PAINT: FLAT EPOXY BROWN

OPERATING TEMPERATURE RANGE: -30°C TO +55°C

WARNING. This is NOT a CONSUMER device. It is designed for installation by FCC LICENSEES and QUALIFIED INSTALLERS. You MUST have an FCC LICENSE or express consent of an FCC Licensee to operate this device. Unauthorized use may result in significant forfeiture penalties, including penalties in excess of \$100,000 for each continuing violation.

WITHOUT INCLUSION OF ACSP OPTION, THIS UNIT MAY NOT BE POWERED BY A GENERATOR.

SKU # 11602301

NEMA 4 ENCLOSURE

FCC ID: Q8KPS7W83790

DIMENSIONS ARE IN INCHES TOLERANCES ARE:		CONTRACT NO:		G-Wave Solutions	
ANGLES	DECIMALS	APPROVALS	DATE		
± 1°	.XX ± .05 .XXX ± .003	DRAWN Sivak	11/15	TITLE 700/800 MHz BDA (LTE)	
TREATMENT	CHECKED	DESIGN ACTIVITY		BDA-PS7W/NPSPAC/N-27/33-80-C	
FINISH 63	ENG.	SIZE A	CAGE CODE	DWG NO:	REV. A
MATERIAL		SCALE None		SHEET 1 OF 1	